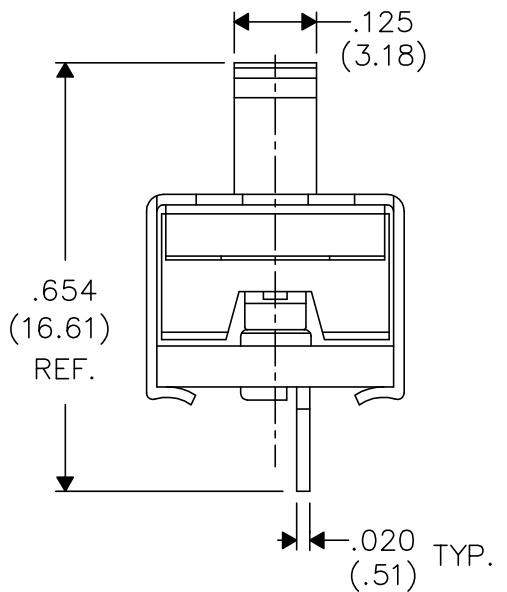
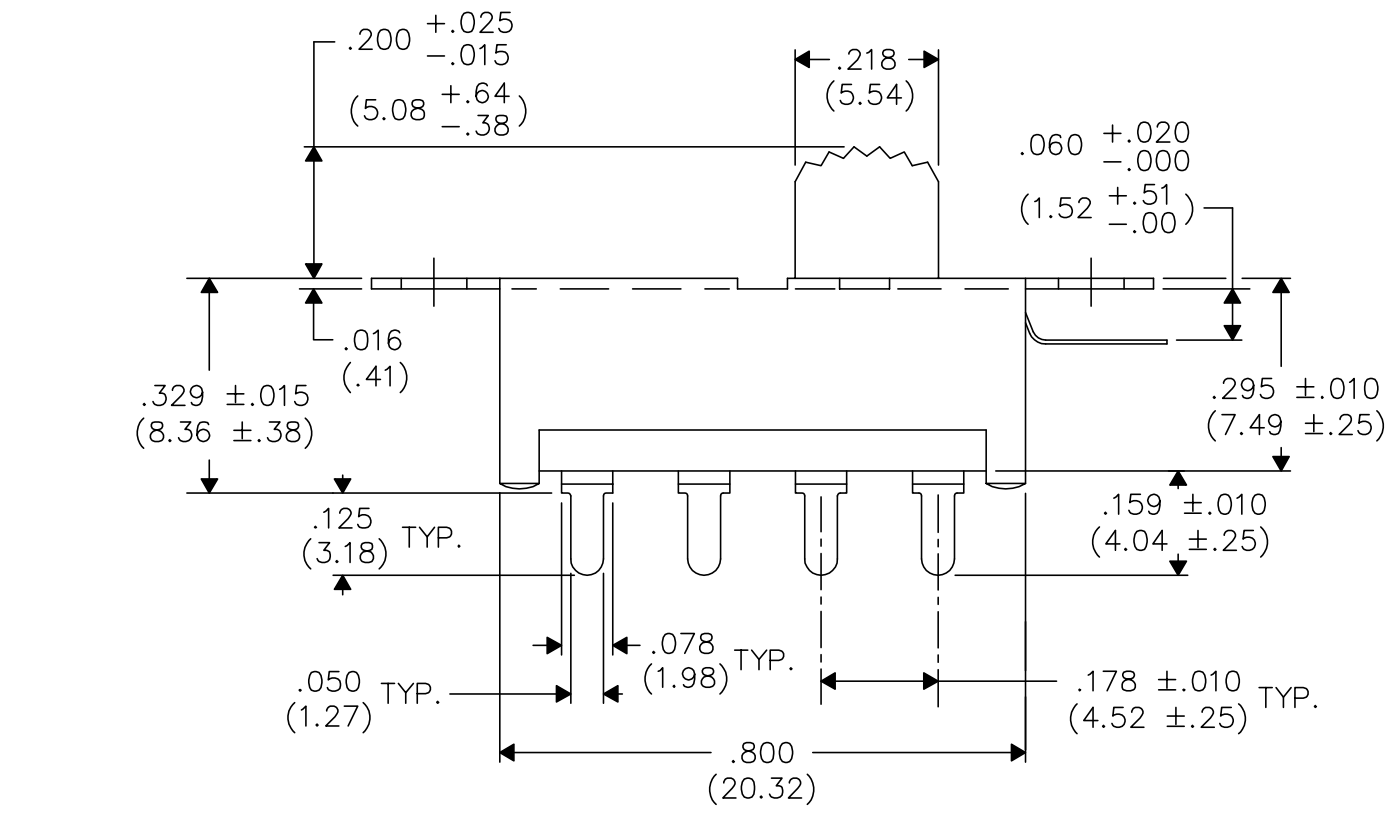
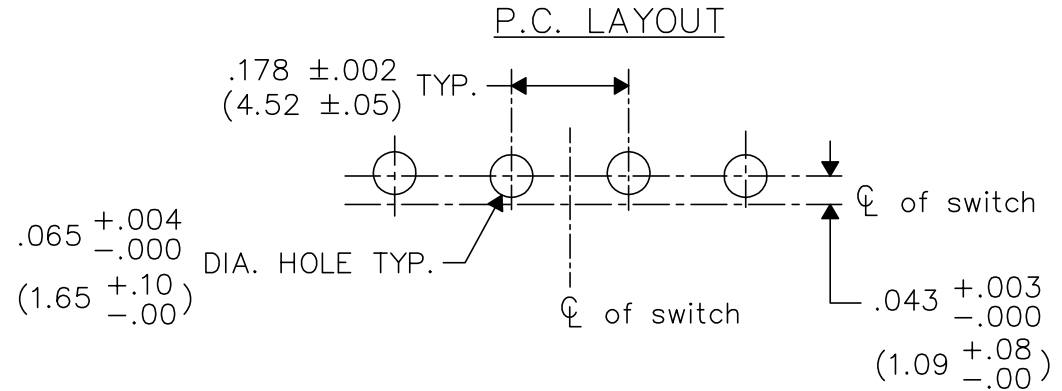
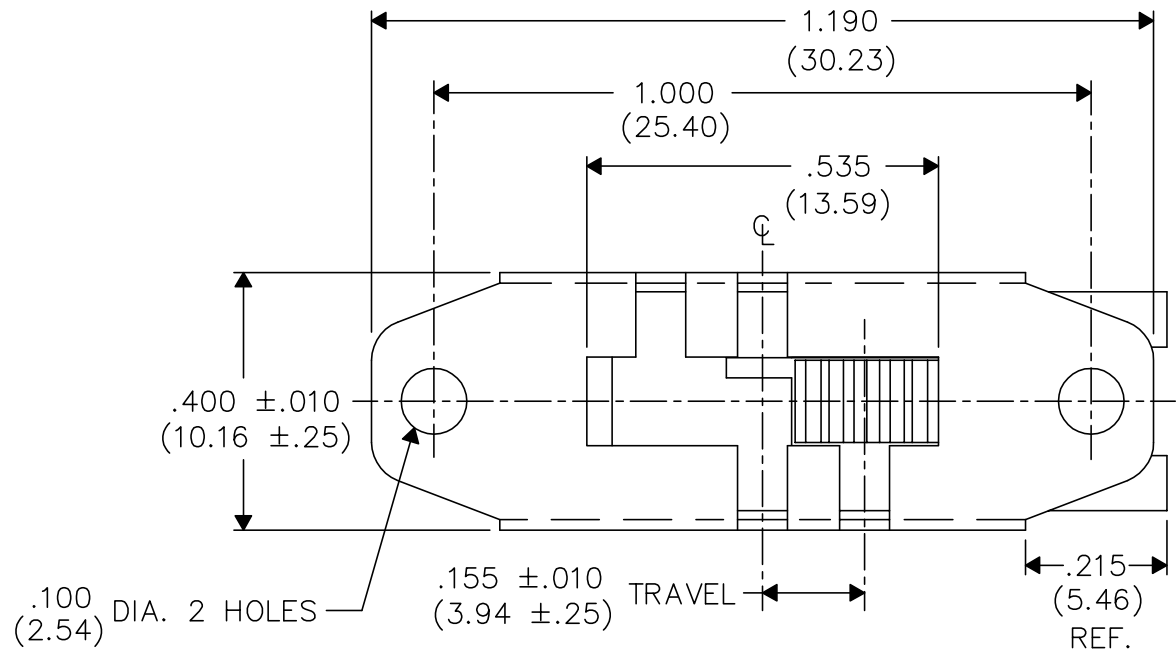


DIMENSIONS IN INCHES (MILLIMETERS)
DO NOT SCALE DRAWING

Dwg. No.
G-127L-0009



1 2 3 4 5 6 7 8 9 10

B-FORMAT 2002
REVISIONS
O
RELEASED. DGW 12-18-2003
CH 1-7-04

CW INDUSTRIES
Southampton, Pa. 18966
TOLERANCES UNLESS OTHERWISE SPECIFIED
2 Place Decimal ±.010 METRIC
3 Place Decimal ±.005 1 Place Dec. ±.25mm
Angles ±1° 2 Place Dec. ±.13mm
Made for: CW IND.
Drawn by: DGW 12-18-2003
Checked by: GG 1-7-04
Approval: CH 1-7-04

Title: MINI-SLIDE SWITCH S.P./3P
Division: SWITCH
Dwg. No. G-127L-0009