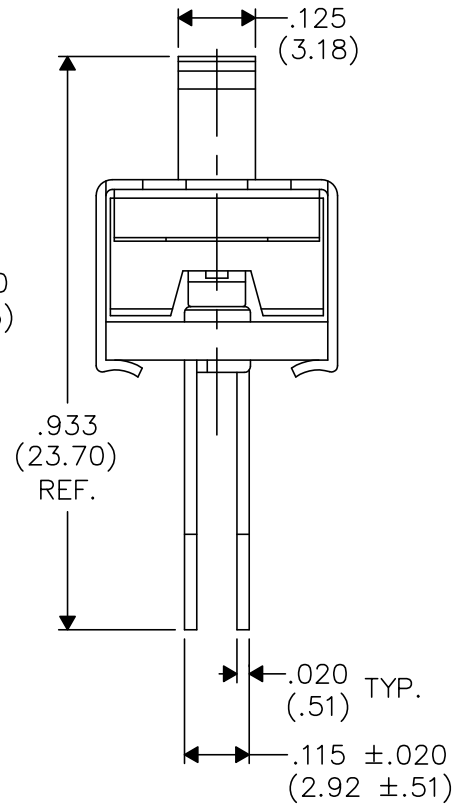
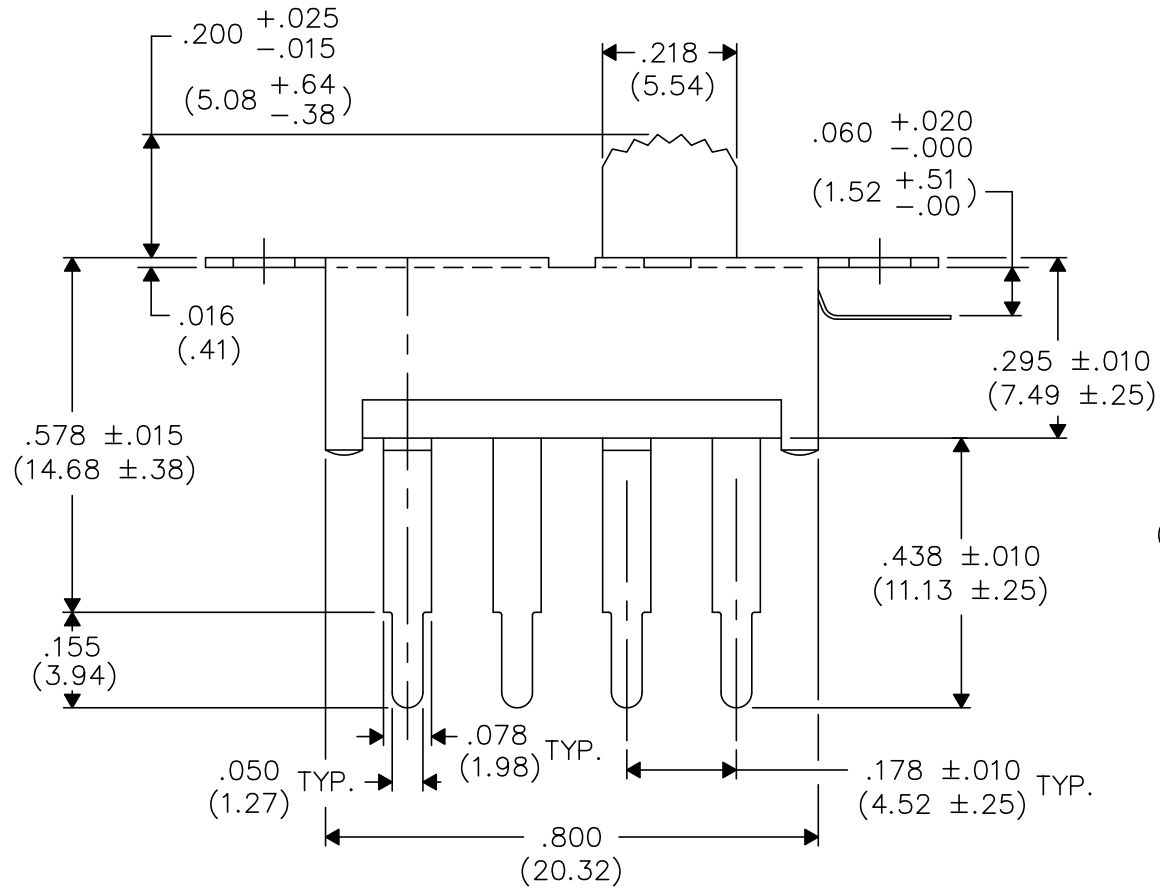
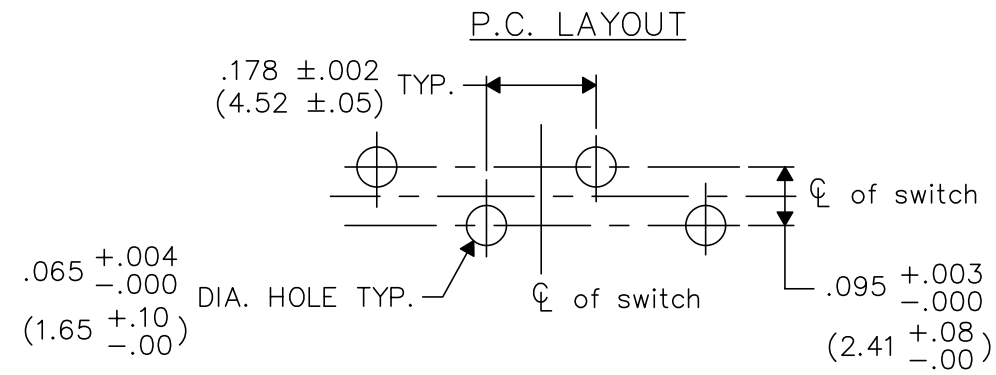
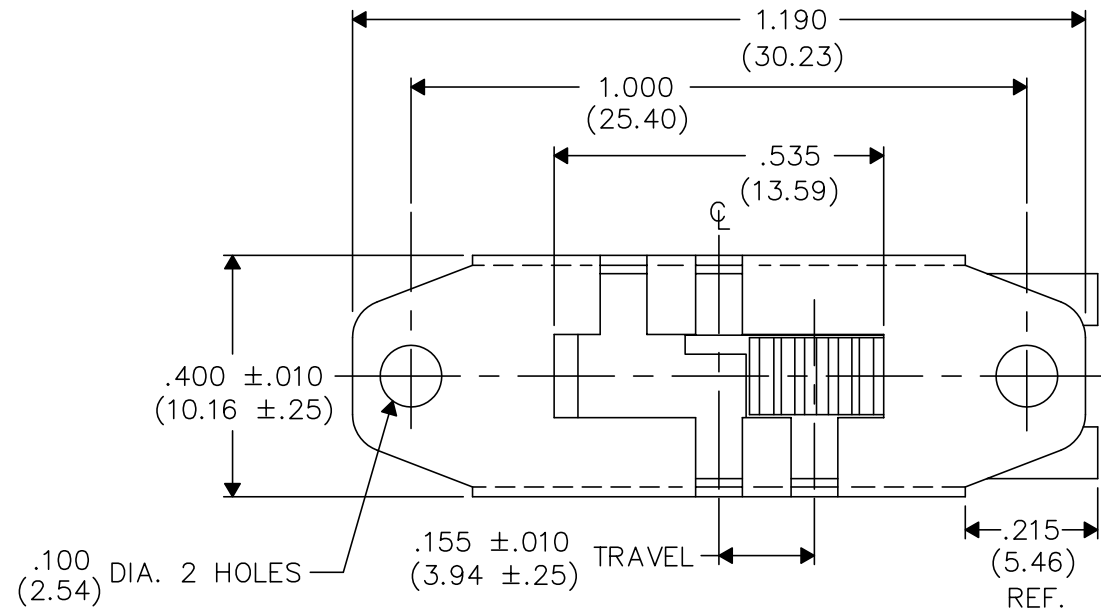


DIMENSIONS IN INCHES (MILLIMETERS)
DO NOT SCALE DRAWING

Dwg. No.
G-127L-0026



FORM-B

REVISIONS

0

RELEASED
DGW 4-10-95
4-13-95

CW INDUSTRIES
Southampton, Pa. 18966

TOLERANCES UNLESS OTHERWISE SPECIFIED
2 Place decimal ±.010 METRIC
3 Place decimal ±.005 1 Place dec. ±.25mm
Angles ± 1' 2 Place dec. ±.13mm

Made for: CW IND.
Drawn by: DGW 4-10-95
Checked by: GG 4-11-95
Approval: CH 4-11-95

Title: **MINI SWITCH ASSEMBLY**
S.P. - 3 POS. W/DETENT

Division: **SWITCH**

Dwg. No.
G-127L-0026