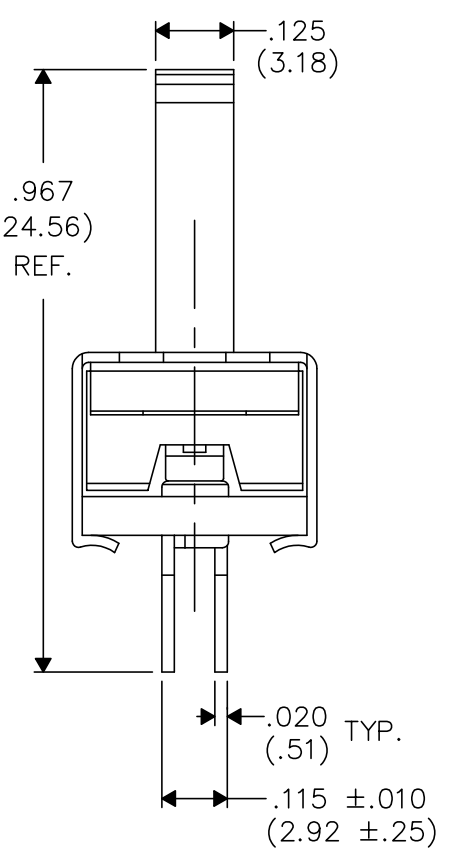
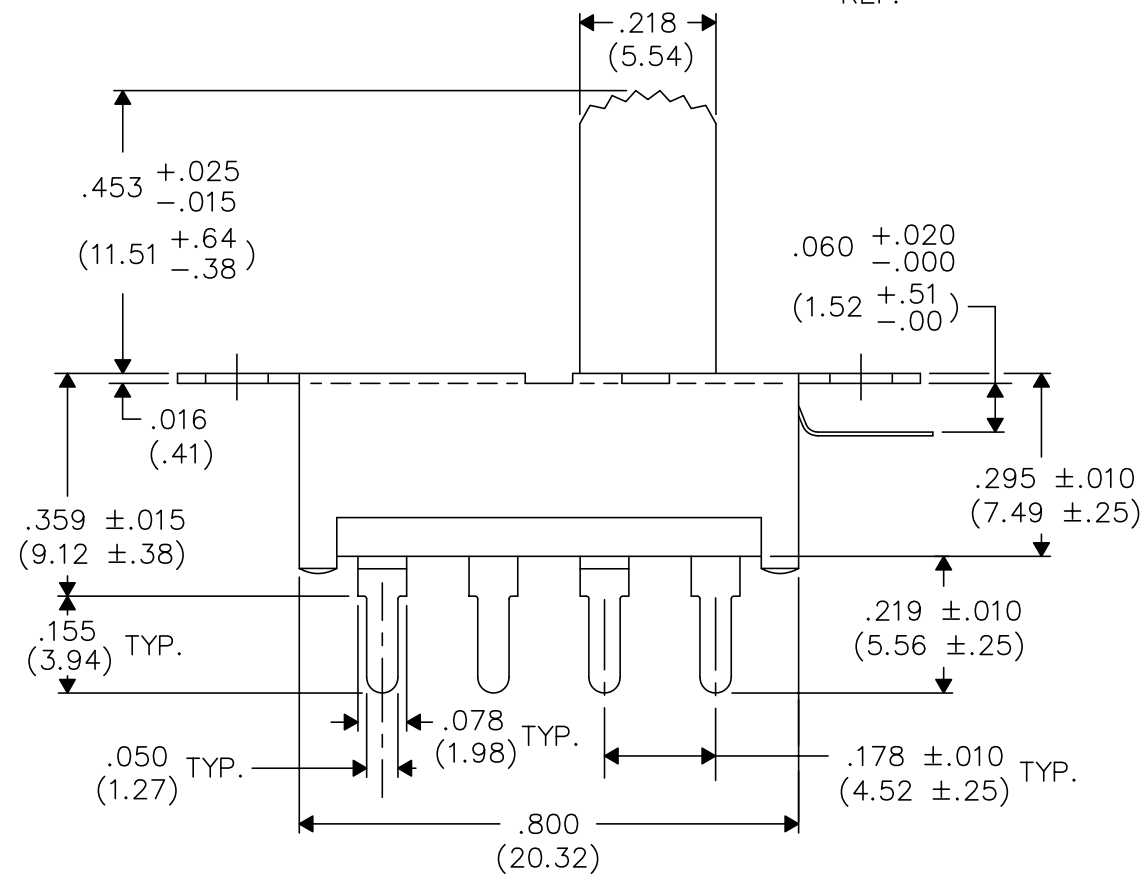
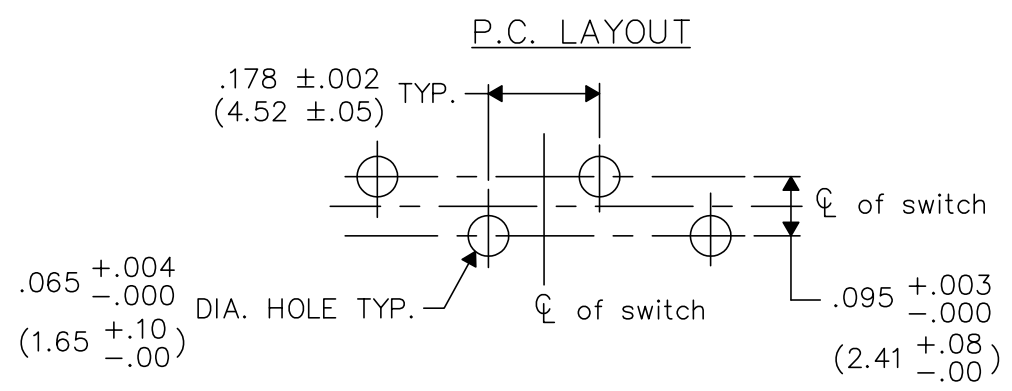
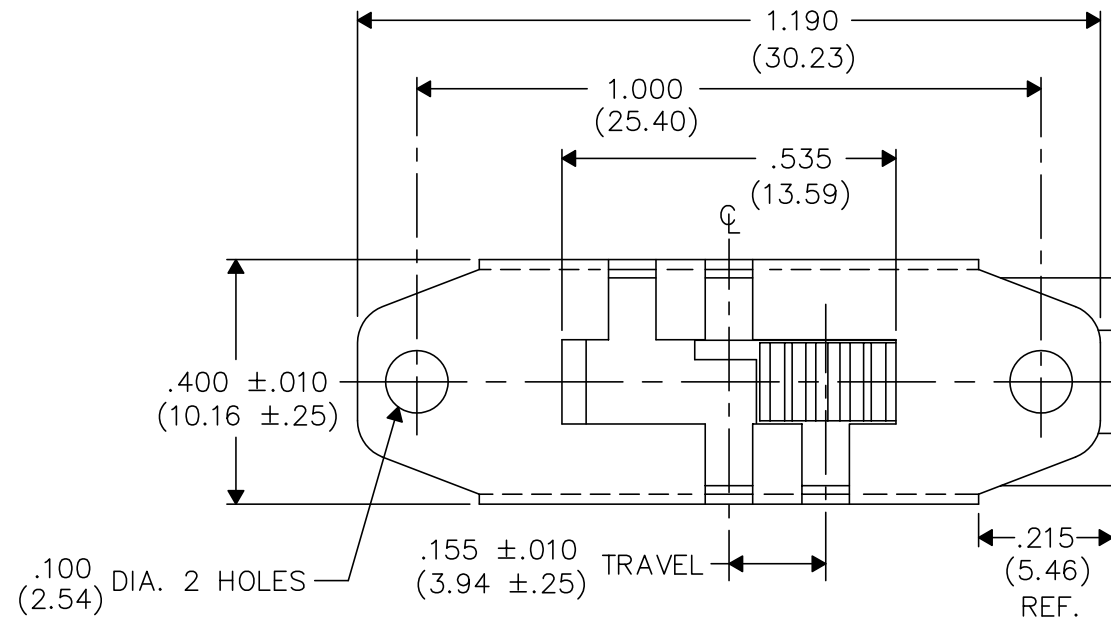


DIMENSIONS IN INCHES (MILLIMETERS)  
DO NOT SCALE DRAWING .....

Dwg. No.  
**G-127L-0028**



FORM-B  
REVISIONS  
0  
RELEASED.  
DGW 2-21-2003  
4-24-2003

**CW INDUSTRIES**  
Southampton, Pa. 18966  
TOLERANCES UNLESS OTHERWISE SPECIFIED  
2 Place decimal ±.010 METRIC  
3 Place decimal ±.005 1 Place dec. ±.25mm  
Angles ..... ± 1' 2 Place dec. ±.13mm  
Made for: CW IND.  
Drawn by: DGW 2-21-2003  
Checked by: GG 4-24-03  
Approval: BF 4-24-3

Title:  
**SWIDGET**  
S.P.- 3 POS.  
Division:  
**SWITCH**  
Dwg. No.  
**G-127L-0028**