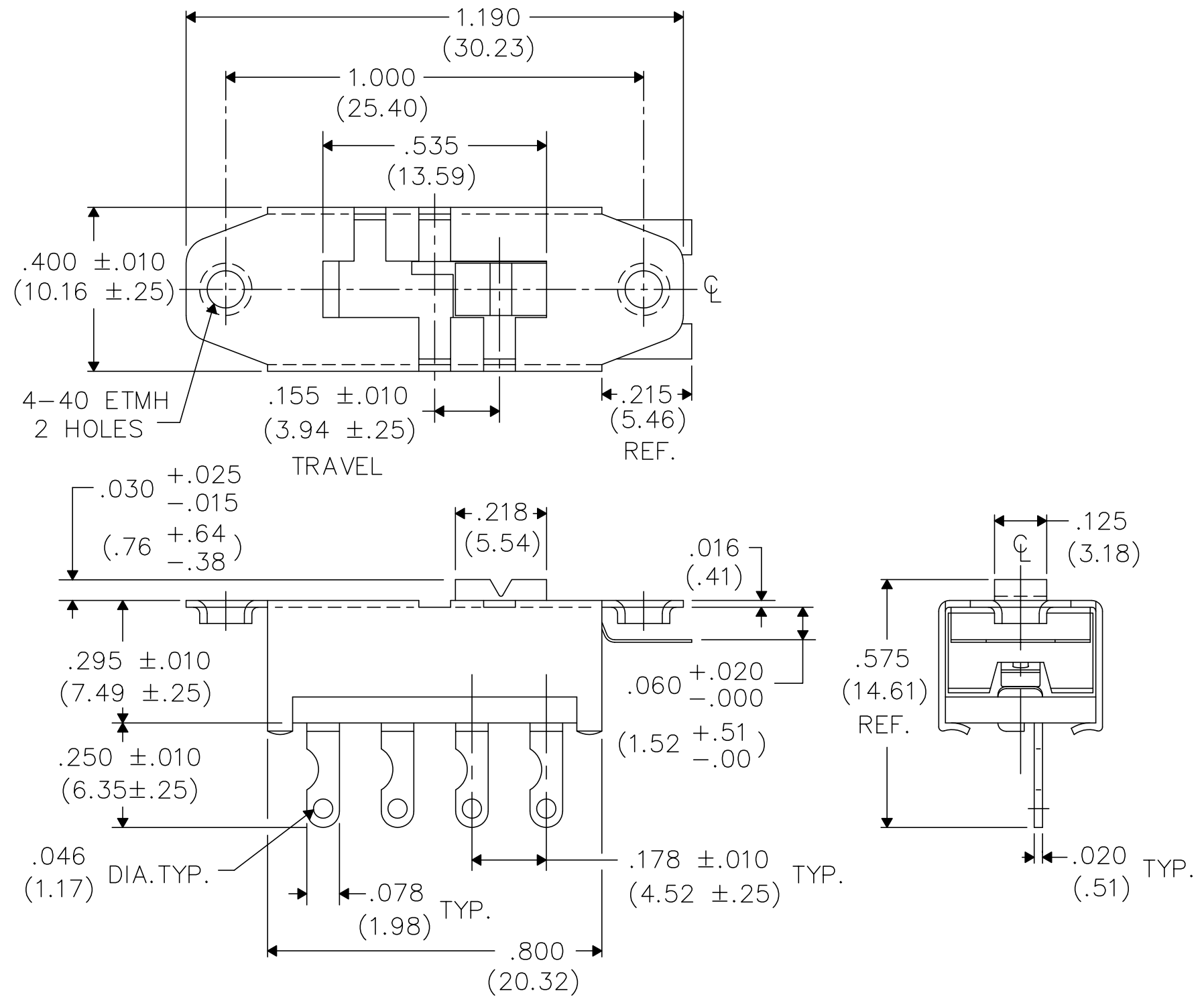


DIMENSIONS IN INCHES (MILLIMETERS)
DO NOT SCALE DRAWING

Dwg. No.
G-127L-0030



FORM-B

REVISIONS	0
RELEASED.	DGW 2-25-2003
	4-24-2003

PDF File Made	CW INDUSTRIES Southampton, Pa. 18966	
	TOLERANCES UNLESS OTHERWISE SPECIFIED	
	2 Place decimal ±.010	METRIC
	3 Place decimal ±.005	1 Place dec. ±.25mm
	Angles ± 1°	2 Place dec. ±.13mm
Made for:	CW IND.	
Drawn by:	DGW 2-25-2003	
Checked by:	GG 4-24-03	
Approval:	BF 4-24-3	

Title:	SWIDGET S.P.- 3 POS.
Division:	SWITCH
Dwg. No.	G-127L-0030