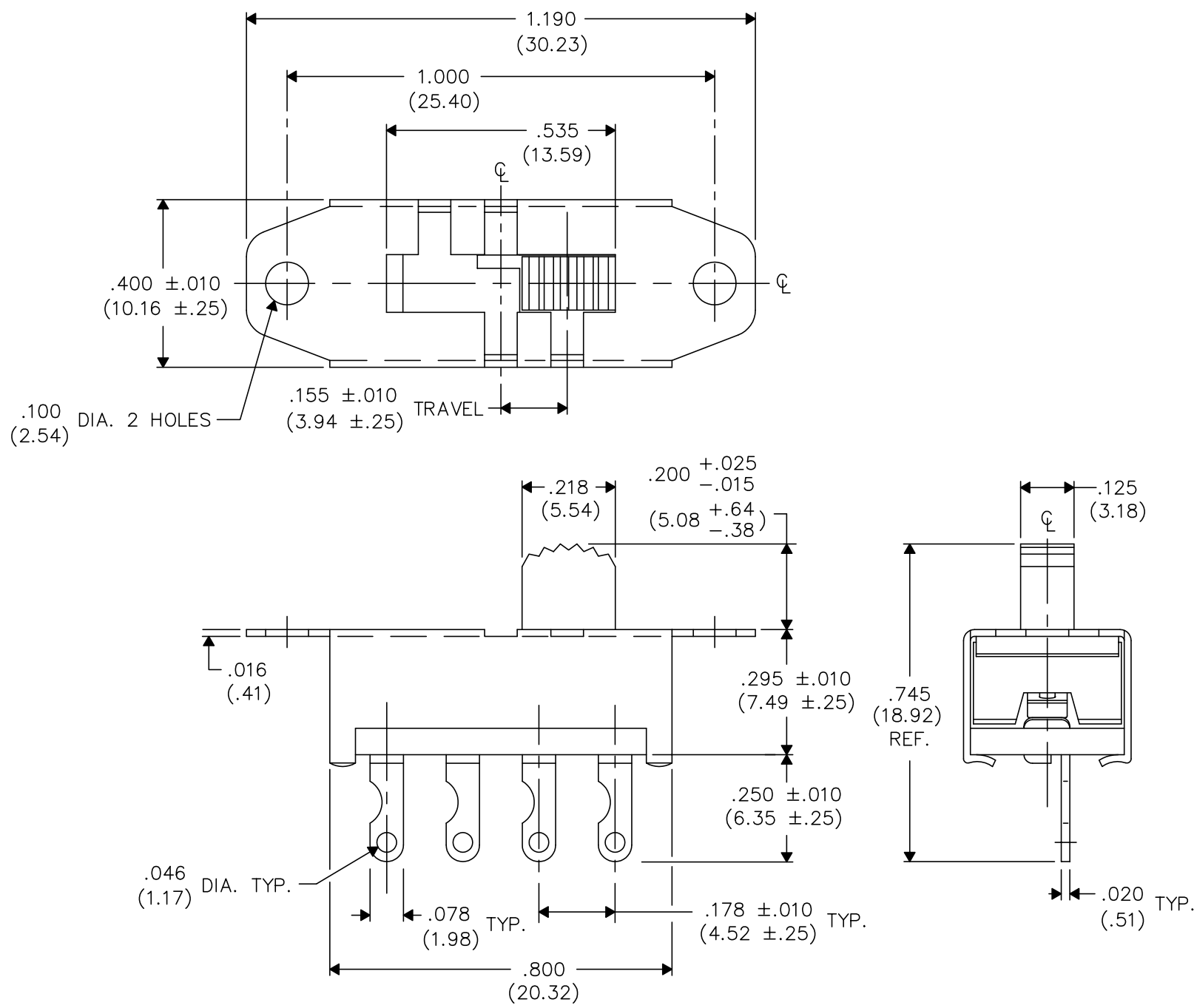


DIMENSIONS IN INCHES (MILLIMETERS)
DO NOT SCALE DRAWING

Dwg. No.
G-127S-0000



1 2 3 4 5 6 7 8 9 10

B-FORMAT 2002
REVISIONS
15
REDRAWN PER NEW FORMAT.
DGW 3-12-2003
3-17-2003

CW INDUSTRIES
Southampton, Pa. 18966
TOLERANCES UNLESS OTHERWISE SPECIFIED
2 Place Decimal ±.010 METRIC
3 Place Decimal ±.005 1 Place Dec. ±.25mm
Angles ±1° 2 Place Dec. ±.13mm

Made for: CW IND.
Drawn by: DGW 3-12-2003
Checked by: GG 3-13-03
Approval: BF 3-13-3

Title:
SWIDGET
S.P.- 3 POS.

Division:
SWITCH

Dwg. No.
G-127S-0000