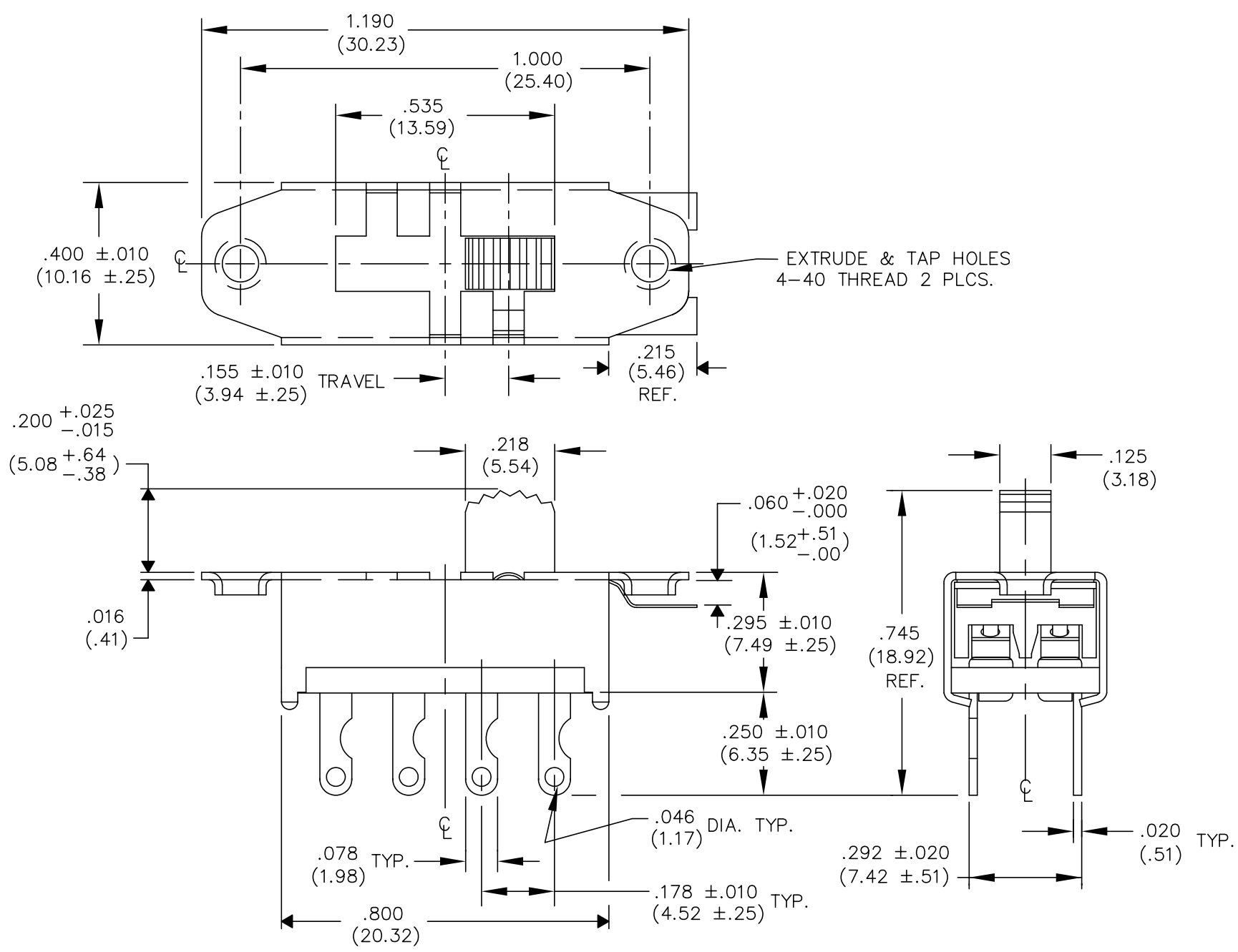


DIMENSIONS IN INCHES (MILLIMETERS)
DO NOT SCALE DRAWING

Dwg. No.
G-128L-0021



1 2 3 4 5 6 7 8 9 10

B-FORMAT 2002	REVISIONS	0
		RELEASED. DGW 10-21-2003 Oct. 24, 2003

PDF File Made	CW INDUSTRIES Southampton, Pa. 18966	Title: SWIDGET ASSEMBLY D.P. - 3 POS.
	TOLERANCES UNLESS OTHERWISE SPECIFIED	
	2 Place Decimal ±.010 3 Place Decimal ±.005 Angles ±1°	METRIC 1 Place Dec. ±.25mm 2 Place Dec. ±.13mm
	Made for: CW IND. Drawn by: DGW 10-21-2003 Checked by: GG 10-24-03 Approval: BF 10-24-3	Division: SWITCH Dwg. No. G-128L-0021