

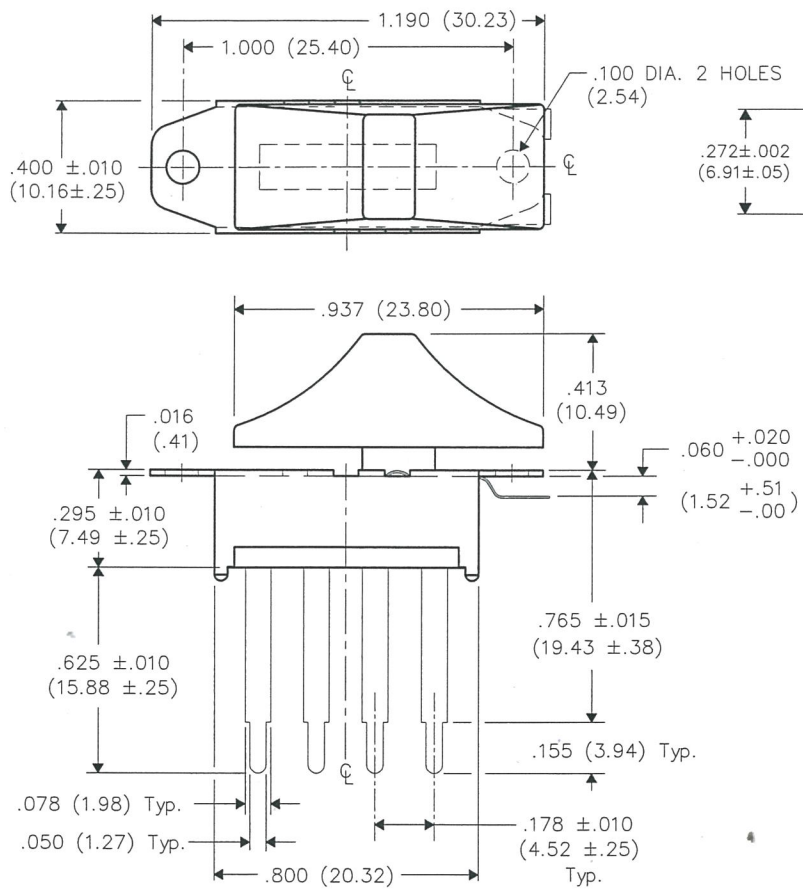
THIS INFORMATION IS CONFIDENTIAL AND PROPRIETARY TO CW INDUSTRIES INCORPORATED AND ITS AFFILIATES. IT MAY NOT BE DISCLOSED TO ANYONE OTHER THAN CW INDUSTRIES PERSONNEL, WITHOUT WRITTEN AUTHORIZATION FROM CW INDUSTRIES INCORPORATED, SOUTHAMPTON, PENNSYLVANIA USA.

B-FORMAT 2002

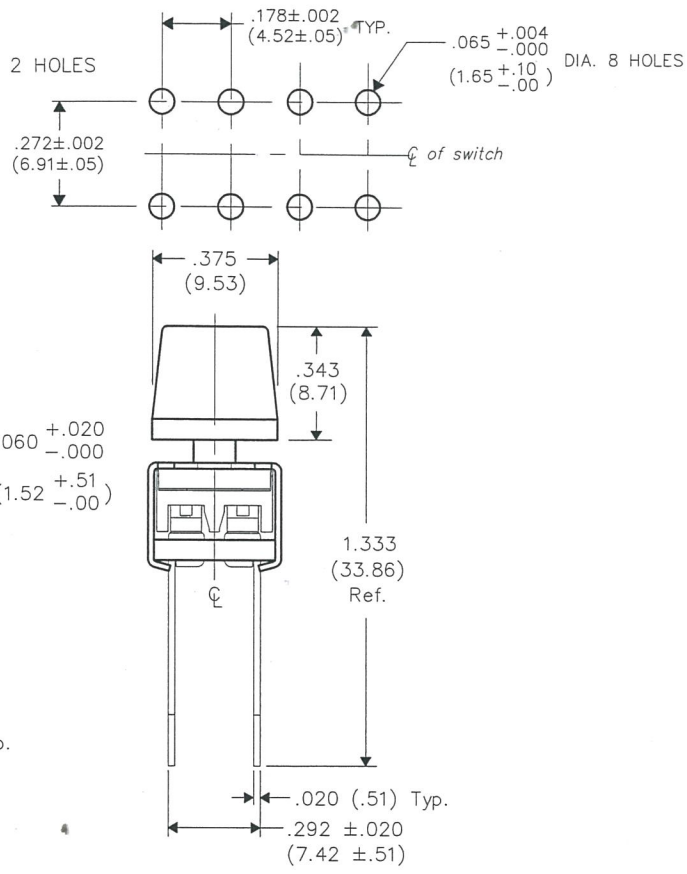
REVISIONS

NEW
 DGW
 3-20-17
 3/20/17
 MAR 2 0 2017

1 2 3 4 5 6 7 8 9 10



P.C. LAYOUT



DIMENSIONS IN INCHES (MILLIMETERS)
 DO NOT SCALE DRAWING

Dwg. No.
G-128L-0095

CW INDUSTRIES
 Southampton, Pa. 18966

TOLERANCES UNLESS OTHERWISE SPECIFIED

2 Place Decimal ±.010	METRIC
3 Place Decimal ±.005	1 Place Dec. ±.25mm
Angles ±1°	2 Place Dec. ±.13mm

Made for: CW IND.
 Drawn by: DGW 3-20-17
 Checked by: G. Guld 3-20-17
 Approved: *[Signature]*

Title: **MINI-SLIDE SWITCH ASSEMBLY**
 D.P. - 3 POS.

Division: **SWITCH**

Dwg. No.
G-128L-0095

MASTER