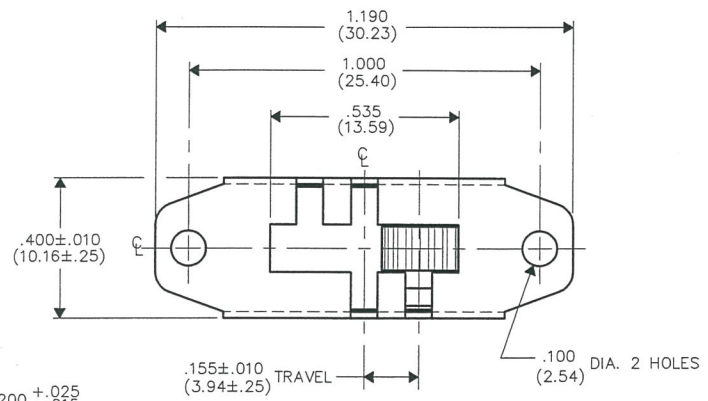


THIS INFORMATION IS CONFIDENTIAL AND PROPRIETARY TO CW INDUSTRIES INCORPORATED AND ITS AFFILIATES. IT MAY NOT BE DISCLOSED TO ANYONE OTHER THAN CW INDUSTRIES PERSONNEL, WITHOUT WRITTEN AUTHORIZATION FROM CW INDUSTRIES INCORPORATED, SOUTHAMPTON, PENNSYLVANIA USA.

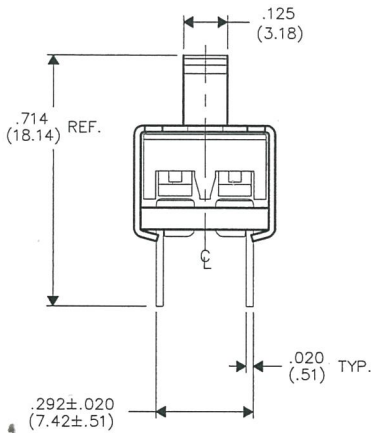
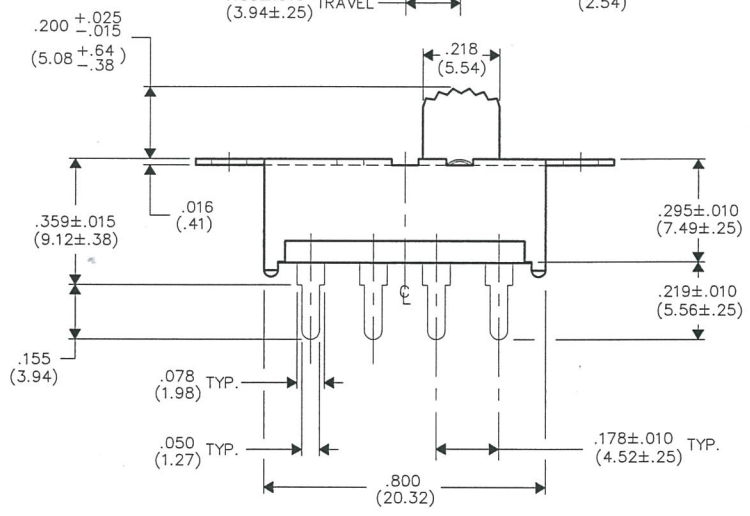
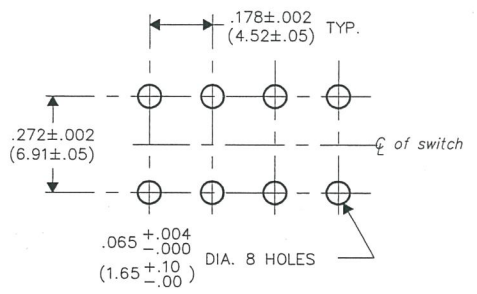
DIMENSIONS IN INCHES (MILLIMETERS)
DO NOT SCALE DRAWING

Dwg. No.
G-128S-0011

E
D
C
B
A



P.C. LAYOUT



1 2 3 4 5 6 7 8 9 10

B-FORMAT 2002	REVISIONS	0
	RELEASED DOW 3-20-17	1
	3/18/17	2

PDF MADE	CW INDUSTRIES Southampton, Pa. 18966		Title: ASSEMBLY SWIDGET D.P. - 3 POS.
	TOLERANCES UNLESS OTHERWISE SPECIFIED		
	2 Place Decimal ±.010	METRIC	Division: SWITCH
	3 Place Decimal ±.005	1 Place Dec. ±.25mm	
Angles ±1°	2 Place Dec. ±.13mm	Dwg. No. G-128S-0011	
Made for: CW IND.	Drawn by: DGW 3-20-17		Approval: <i>G. Gold 3/20/17</i>
Checked by: <i>G. Gold 3-20-17</i>			

MASTER