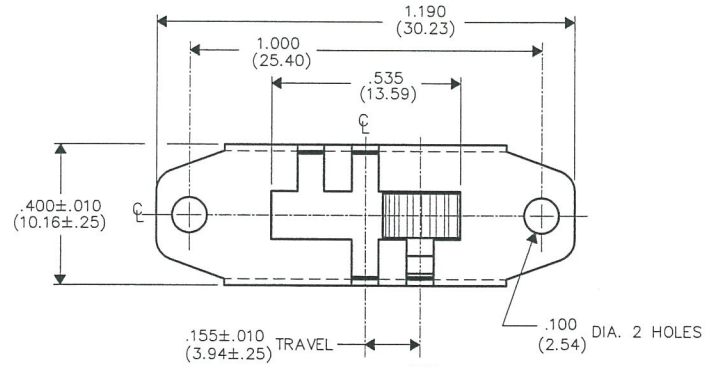


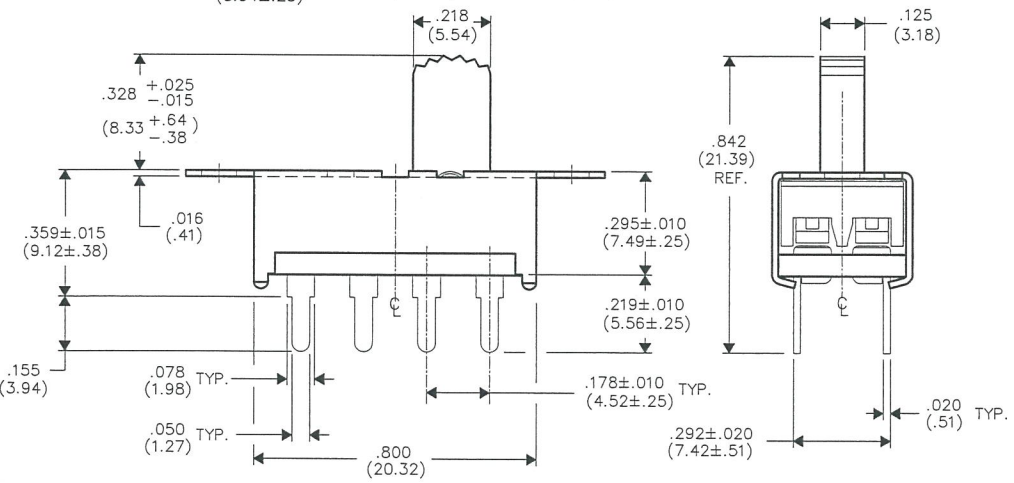
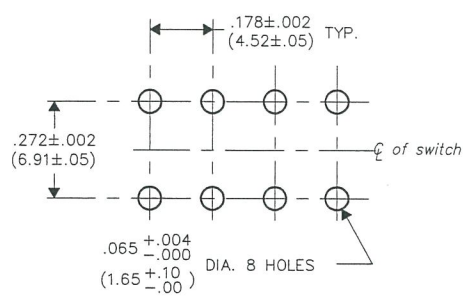
F  
D  
C  
B  
A

DIMENSIONS IN INCHES (MILLIMETERS)  
DO NOT SCALE DRAWING .....

Dwg. No.  
**G-128S-0016**



**P.C. LAYOUT**



1 2 3 4 5 6 7 8 9 10

B-FORMAT 2002  
**REVISIONS**  
RELEASED.  
DWG 3-20-17  
Ce 4/4/17  
0 4 2017

**CW INDUSTRIES**  
Southampton, Pa. 18966  
TOLERANCES UNLESS OTHERWISE SPECIFIED  
2 Place Decimal ±.010 METRIC  
3 Place Decimal ±.005 1 Place Dec. ±.25mm  
Angles ..... ±1' 2 Place Dec. ±.13mm

Title: **ASSEMBLY SWIDGET D.P. - 3 POS.**

Made for: CW IND.  
Drawn by: DGW 3-20-17  
Checked by: *G. Gold* 3-27-17  
Approval: *C. Hair* 4/4/17

Division: **SWITCH**  
Dwg. No. **G-128S-0016**

**MASTER**