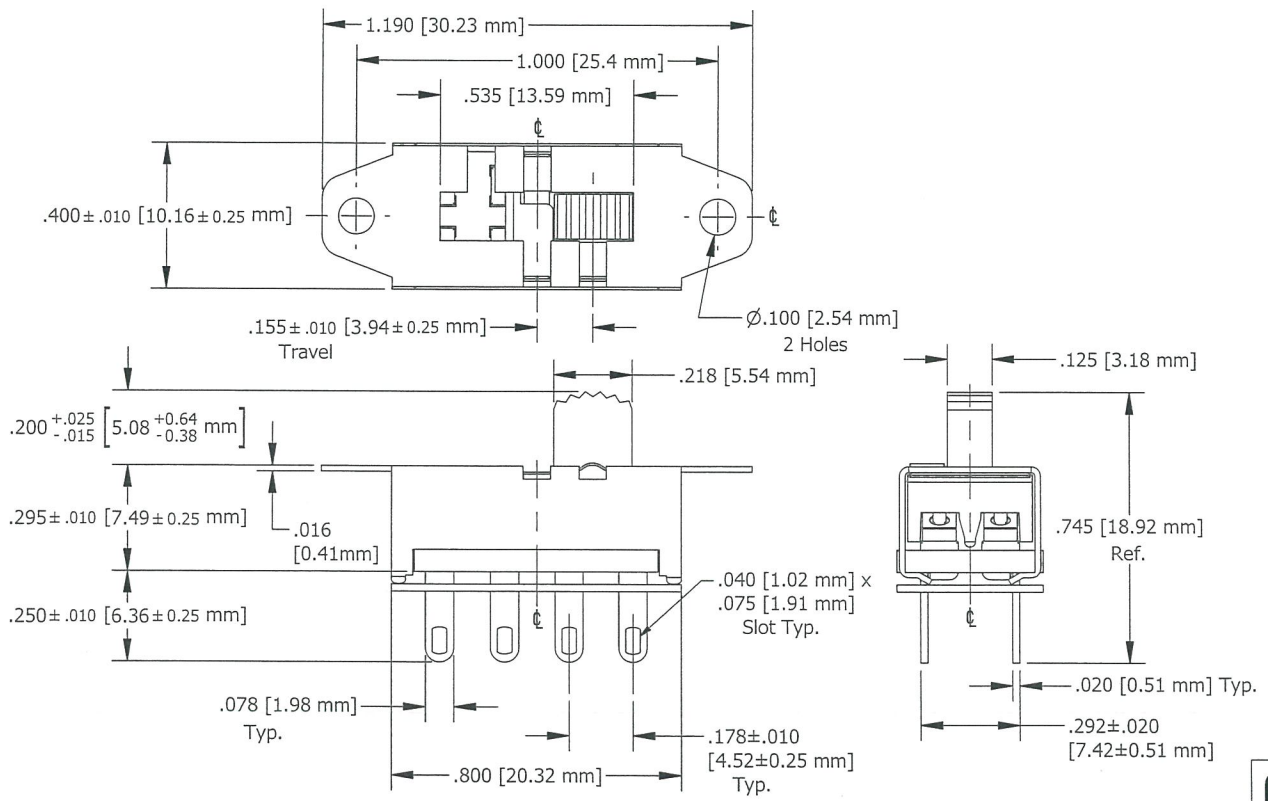


THIS INFORMATION IS CONFIDENTIAL AND PROPRIETARY TO CW INDUSTRIES INCORPORATED AND ITS AFFILIATES. IT MAY NOT BE DISCLOSED TO ANYONE OTHER THAN CW INDUSTRIES PERSONNEL, WITHOUT WRITTEN AUTHORIZATION FROM CW INDUSTRIES INCORPORATED, SOUTHAMPTON, PENNSYLVANIA USA.

DIMENSIONS IN INCHES (MILLIMETERS)
DO NOT SCALE DRAWING

Dwg. No.	G-128S-0089
REVISIONS	0 NEW CQ 4/4/17 APR 04 2017 DGW 3-21-17



CW INDUSTRIES Southampton, Pa. 18956 TOLERANCES UNLESS OTHERWISE SPECIFIED 2 Place Decimal ± .010 METRIC 3 Place Decimal ± .005 1 Place Dec. ± .25mm Angles ± 1' 2 Place Dec. ± .13mm	Title:	SLIDE SWITCH ASSEMBLY D.P. - 3 POS.
	Made for:	CW IND. Division: SWITCH
Drawn by:	DGW 3-21-17	
Checked by:	G. Gold 3-27-17	Dwg. No. G-128S-0089
Approval:	C. Hester 4/4/17	

MASTER