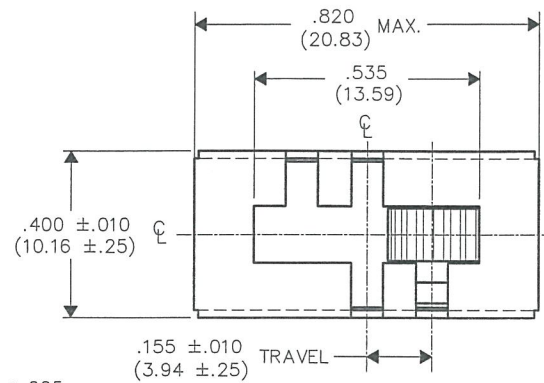


THIS INFORMATION IS CONFIDENTIAL AND PROPRIETARY TO CW INDUSTRIES INCORPORATED AND ITS AFFILIATES. IT MAY NOT BE DISCLOSED TO ANYONE, OTHER THAN CW INDUSTRIES PERSONNEL, WITHOUT WRITTEN AUTHORIZATION FROM CW INDUSTRIES INCORPORATED, SOUTHAMPTON, PENNSYLVANIA USA.

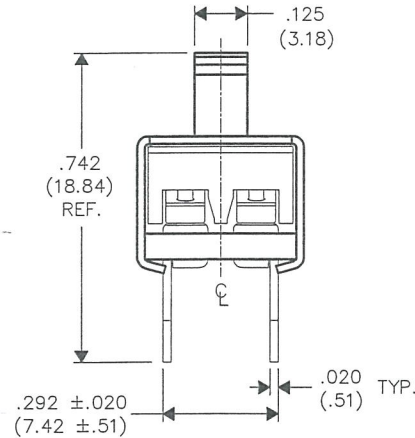
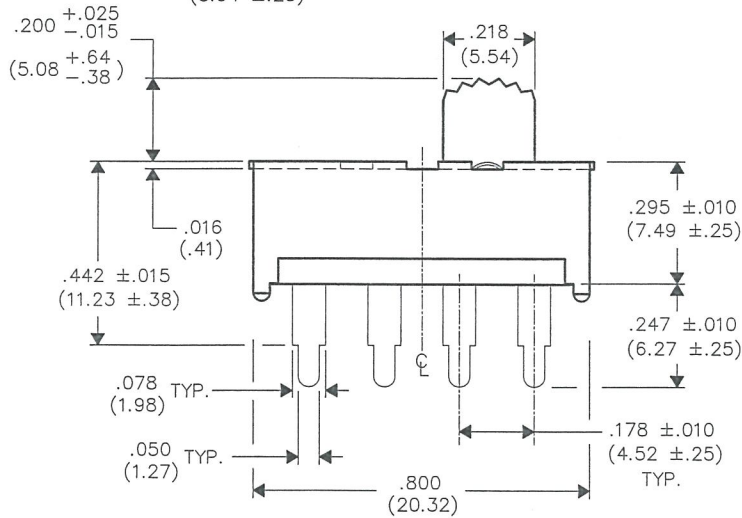
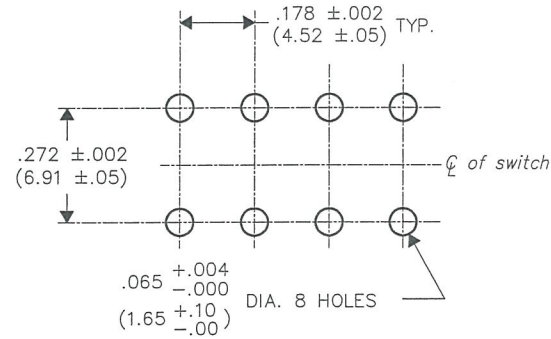
F
D
C
B
A

DIMENSIONS IN INCHES (MILLIMETERS)
DO NOT SCALE DRAWING

Dwg. No.
G-128S-0109



P.C. LAYOUT



1 2 3 4 5 6 7 8 9 10

B-FORMAT 2002

REVISIONS

RELEASED.
DGW 7-08-13
JUL 10 2013

CW INDUSTRIES
Southampton, Pa. 18066

TOLERANCES UNLESS OTHERWISE SPECIFIED	
2 Place Decimal ±.010	METRIC
3 Place Decimal ±.005	1 Place Dec. ±.25mm
Angles ±1'	2 Place Dec. ±.13mm

Made for: CW IND.
 Drawn by: DGW 7-08-13
 Checked by: *G. Guld 7-10-13*
 Approval: *G. Guld 7-10-13*

Title: **SLIDE SWITCH ASSEMBLY**
D.P. - 3 POS.

Division: **SWITCH**

Dwg. No. **G-128S-0109**

MASTER