

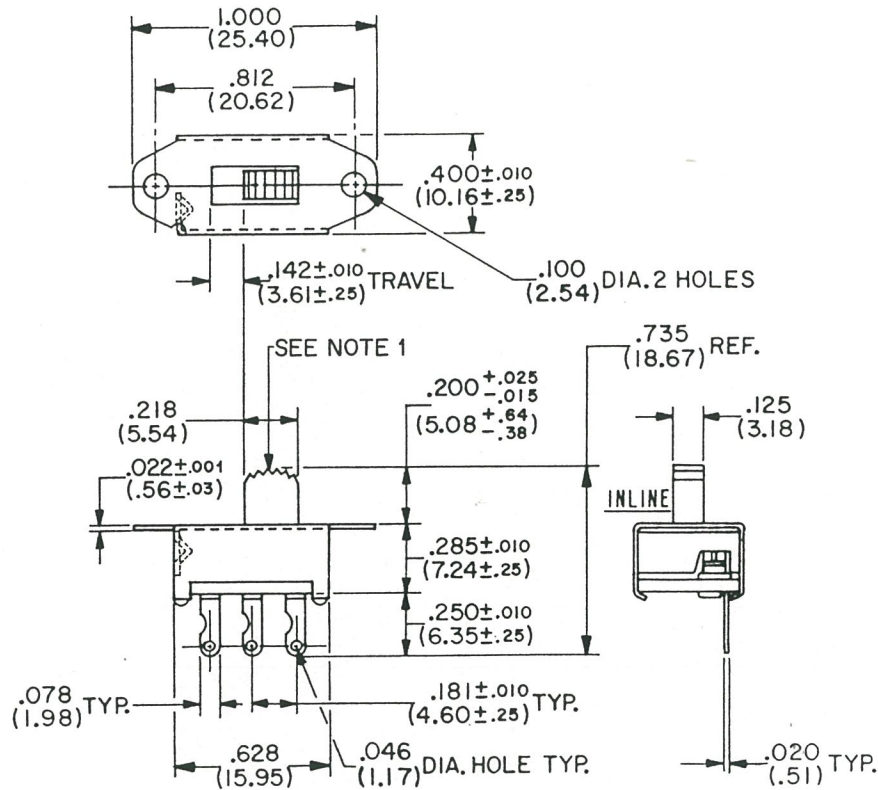
DIMENSIONS IN INCHES (METRIC-MILLIMETERS)  
DO NOT SCALE DRAWING..

Drawing Number

G-133-0030

NOTE:

1. SWITCH SHALL WITHSTAND A FORCE OF 25 ± MIN. APPLIED PERPENDICULAR TO THE TOP OF THE ACTUATOR WHEN THE SWITCH IS SUPPORTED CLOSELY TO THE BODY (.628 dim.)



REVISIONS

0  
RELEASED  
E.C.J. 11-30-87  
NOV 30 1987

**CW INDUSTRIES**  
Southampton, Pa. 18966

TOLERANCES UNLESS OTHERWISE SPECIFIED  
2 Place decimal ± .010 METRIC  
3 Place decimal ± .005 1 Place dec. ± .25MM  
Angles . . . . . ± 1° 2 Place dec. ± .13MM

Made for ALOROTOM  
Drawn by LIS JACKSON 11-24-87  
Checker *EL2* 11/30/87  
Eng. appr *EL2* 11/30/87

ASS'Y SWIDGET  
S. P. D.T.  
S.R.

Division SWITCH

Drawing Number  
G-133-0030

MASTER