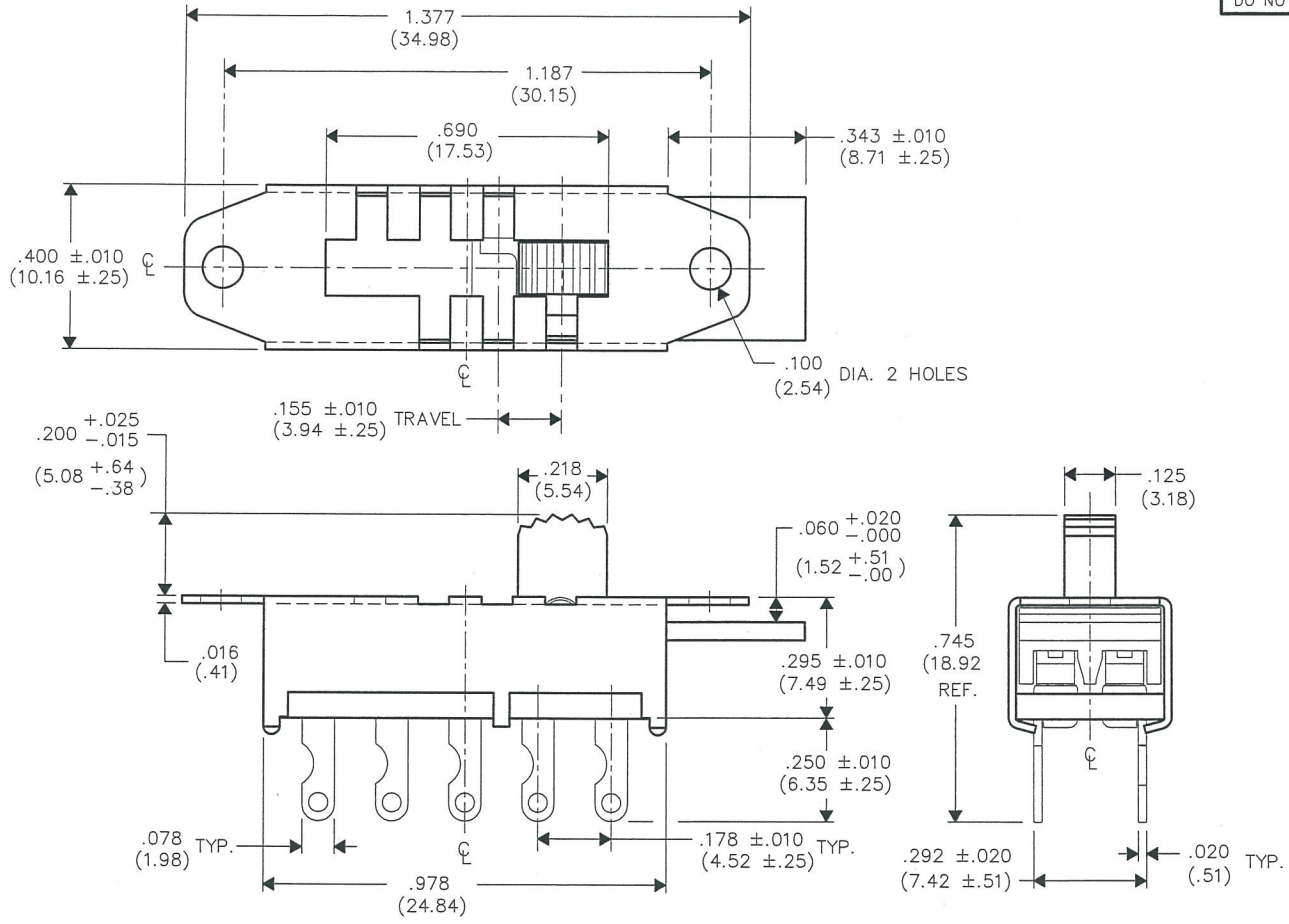


THIS INFORMATION IS CONFIDENTIAL AND PROPRIETARY TO CW INDUSTRIES INCORPORATED AND ITS AFFILIATES. IT MAY NOT BE DISCLOSED TO ANYONE, OTHER THAN CW INDUSTRIES PERSONNEL, WITHOUT WRITTEN AUTHORIZATION FROM CW INDUSTRIES INCORPORATED, SOUTHAMPTON, PENNSYLVANIA USA.

DIMENSIONS IN INCHES (MILLIMETERS)
 DO NOT SCALE DRAWING

Dwg. No.
G-141L-0000



B-FORMAT 2002
REVISIONS
 RELEASED: DGW 5-26-17
 MAY 31 2017
 5/30/17

1 2 3 4 5 6 7 8 9 10

CW INDUSTRIES
 Southampton, Pa. 18966
 TOLERANCES UNLESS OTHERWISE SPECIFIED
 2 Place Decimal ±.010 METRIC
 3 Place Decimal ±.005 1 Place Dec. ±.25mm
 Angles ±1' 2 Place Dec. ±.13mm
 Made for: CW IND.
 Drawn by: DGW 5-26-17
 Checked by: G. GOLD 5-30-17
 Approval: P. Heuer 5/30/17

Title: **MINIATURE SLIDE SWITCH ASSEMBLY DP/4P**
 Division: **SWITCH**
 Dwg. No. **G-141L-0000**

MASTER