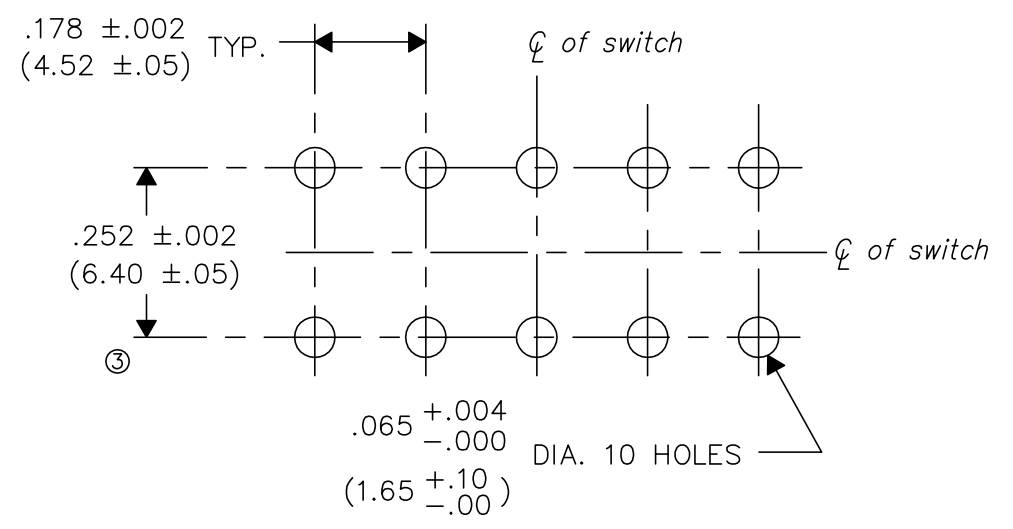
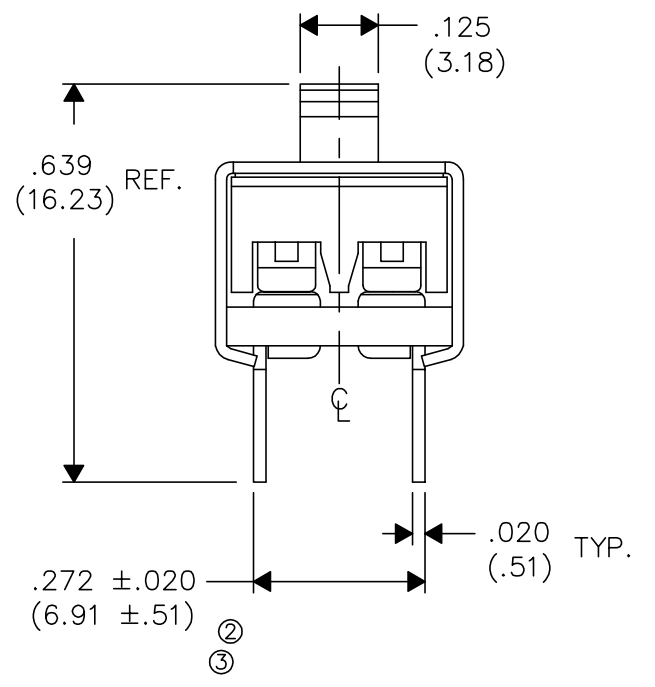
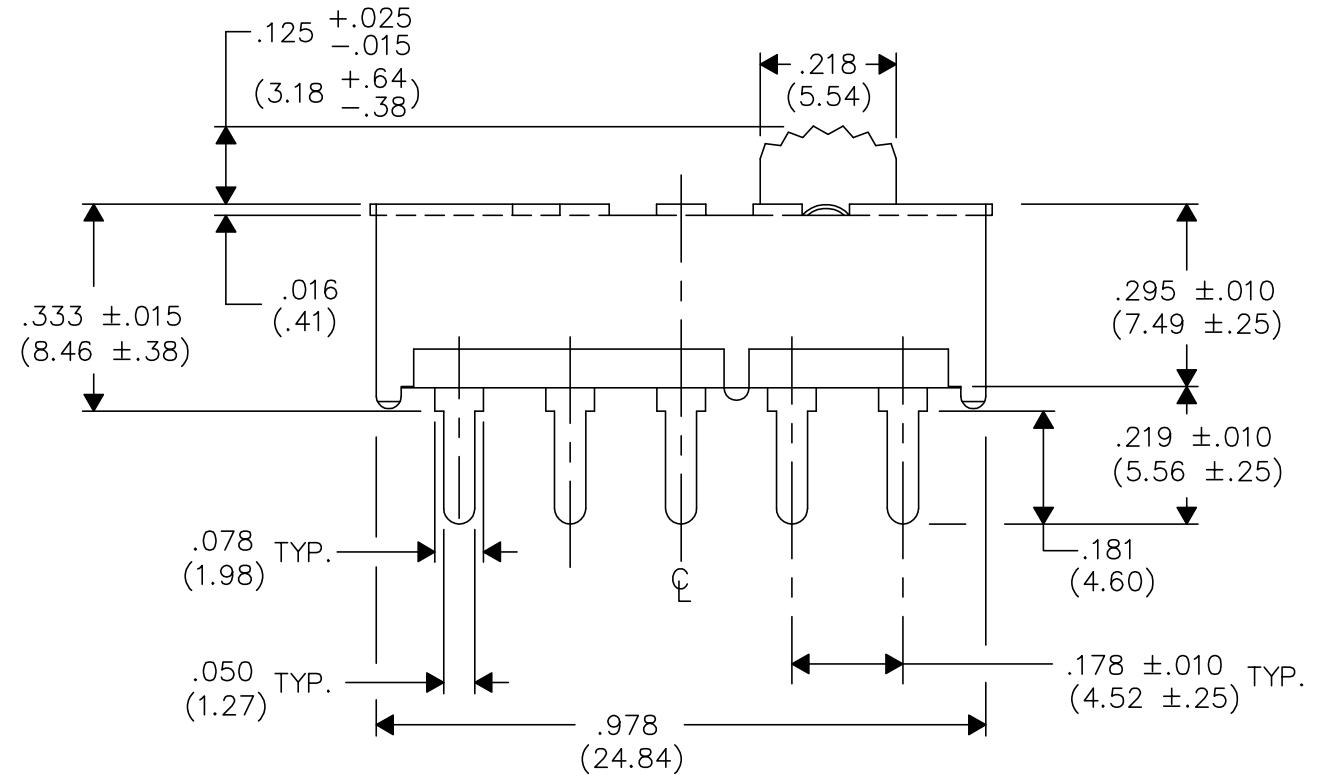


P.C. LAYOUT



NOTE:

1. Dimensions shown in () are in millimeters.



FORM-B

REVISIONS
0 RELEASED DGW 1-16-95 JAN 19, 1995
1 .020 WAS .010 IN TOP VIEW. DGW 7-17-95 GG 7-20-95
2 .272 REF. WAS .292±.020. DGW 8-03-95 GG 8-03-95
3 .272±.020 WAS .272 REF. IN SIDE VIEW & .252±.002 WAS .272±.002 IN P.C.LAYOUT. DGW 4-22-97 GZ 4-22-1997

CW INDUSTRIES
Southampton, Pa. 18966

TOLERANCES UNLESS OTHERWISE SPECIFIED

2 Place decimal ±.010	METRIC
3 Place decimal ±.005	1 Place dec. ±.25mm
Angles ± 1°	2 Place dec. ±.13mm

Made for: CW IND.
Drawn by: DGW 1-16-95
Checked by: GG 1-18-95
Approval: GZ

Title: **SWIDGET ASSEMBLY**
D.P.- 4 POS.
P.C.

Division: **SWITCH**

Dwg. No. **G-141S-0069**