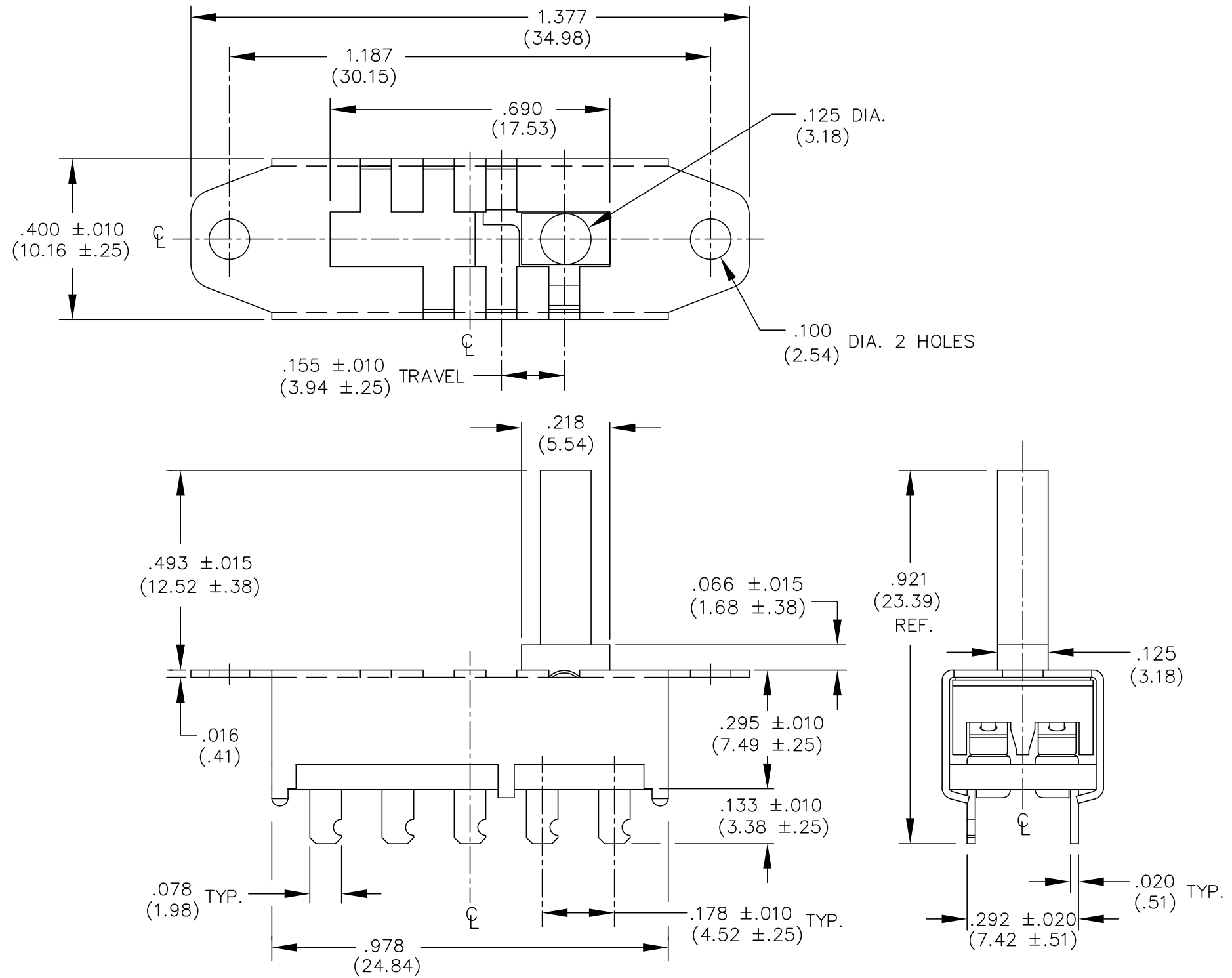


DIMENSIONS IN INCHES (MILLIMETERS)  
DO NOT SCALE DRAWING .....

Dwg. No.  
G-141S-0076



1 2 3 4 5 6 7 8 9 10

FORM-B4	REVISIONS	0
		RELEASED. DGW 2-18-2004 Feb. 19, 2004

PDF File Made	<b>CW INDUSTRIES</b> Southampton, Pa. 18966		Title: SWIDGET ASSEMBLY D.P. - 4 POS. .125" DIA. POST BUTTON
	TOLERANCES UNLESS OTHERWISE SPECIFIED		
	2 Place Decimal ±.010 3 Place Decimal ±.005 Angles ..... ±1°	METRIC 1 Place Dec. ±.25mm 2 Place Dec. ±.13mm	
	Made for: CW IND.	Division: SWITCH	
Drawn by: DGW 2-18-2004	Checked by: GG 2-19-04	Approval: BF 2-19-4	Dwg. No. G-141S-0076