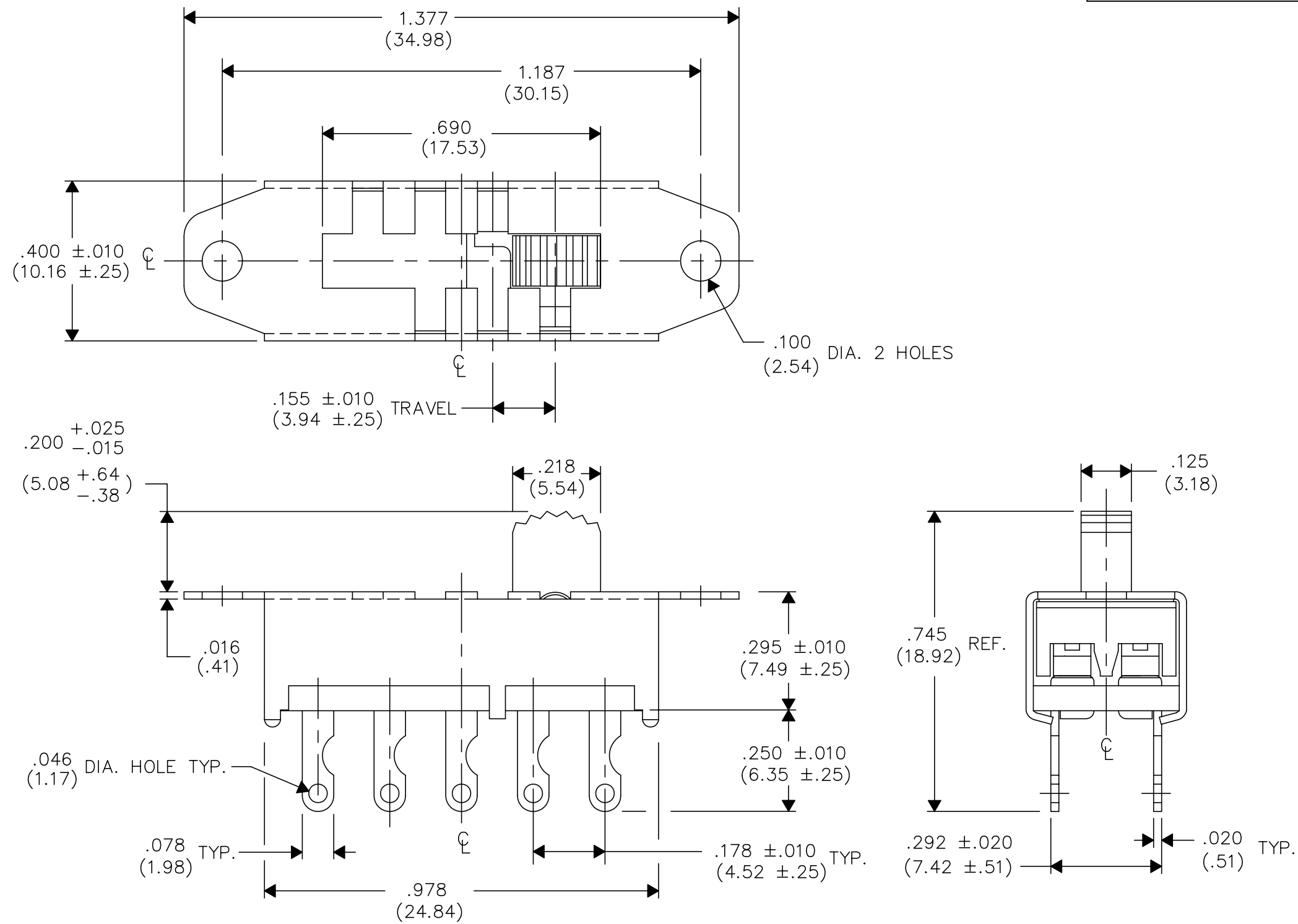


DIMENSIONS IN INCHES (MILLIMETERS)  
DO NOT SCALE DRAWING .....

Dwg. No.

G-141S-3011



FORM-B

REVISIONS

0
RELEASED
DGW 12-13-94
CH 12-15-94

**CW INDUSTRIES**  
Southampton, Pa. 18966

TOLERANCES UNLESS OTHERWISE SPECIFIED

2 Place decimal $\pm .010$	METRIC
3 Place decimal $\pm .005$	1 Place dec. $\pm .25$ mm
Angles ..... $\pm 1^\circ$	2 Place dec. $\pm .13$ mm

Made for: CW IND.  
 Drawn by: DGW 12-13-94  
 Checked by: GG 12-15-94  
 Approval: CH 12-15-94

Title:

SWIDGET  
ASSEMBLY  
D.P.- 4 POS.

Division:

SWITCH

Dwg. No.

G-141S-3011