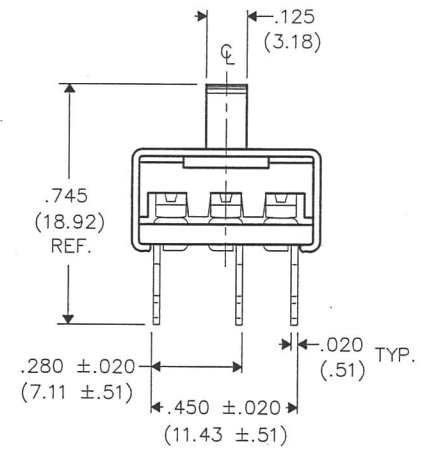
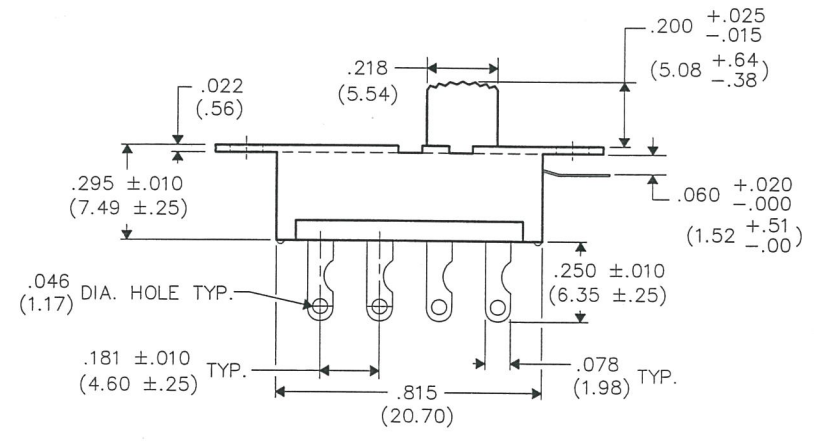
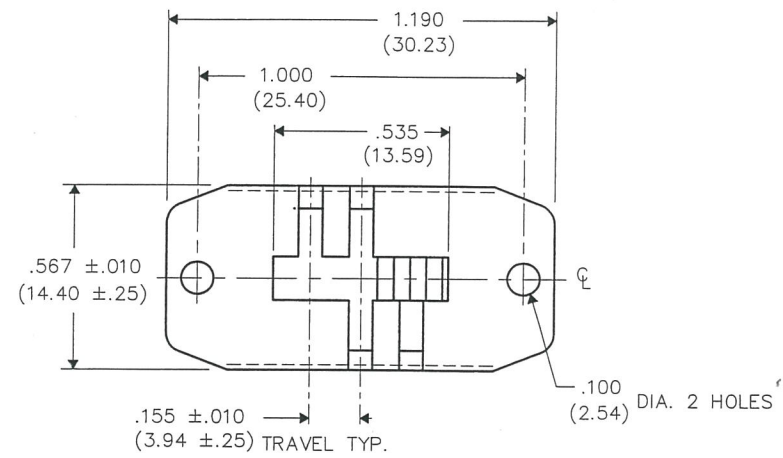


THIS INFORMATION IS CONFIDENTIAL AND PROPRIETARY TO CW INDUSTRIES INCORPORATED AND ITS AFFILIATES. IT MAY NOT BE DISCLOSED TO ANYONE, OTHER THAN CW INDUSTRIES PERSONNEL, WITHOUT WRITTEN AUTHORIZATION FROM CW INDUSTRIES INCORPORATED, SOUTHAMPTON, PENNSYLVANIA USA.

DIMENSIONS IN INCHES (MILLIMETERS)
DO NOT SCALE DRAWING Dwg. No. G-168L-0000



| | | | | | | | | | |
|---|---|---|---|---|---|---|---|---|----|
| 1 | 2 | 3 | 4 | 5 | 6 | 7 | 8 | 9 | 10 |
|---|---|---|---|---|---|---|---|---|----|

| | | | | | | | | | | | | | | | | | | | | | | | | | | | | |
|--------------------------------------|--|------------------------------------|--|--|-------------------------|---------------------------------------|--|--|--------------------------------------|-----------------------|-------------------------|--------------------------------------|------------------------------------|---------------------------------|--|------------------------------------|-------------------|--|-----------------------------|-----------------------|--|----------------------------------|------------------------------------|--|--|----------------------------------|--|--|
| B-FORMAT 2002 | REVISIONS | MASTER | <table border="1"> <tr> <td colspan="2" style="text-align: center;">CW INDUSTRIES Southampton, Pa. 18966</td> <td rowspan="2">Title: MINI SLIDE SWITCH 3P/3P</td> </tr> <tr> <td colspan="2" style="text-align: center;"><small>TOLERANCES UNLESS OTHERWISE SPECIFIED</small></td> </tr> <tr> <td style="text-align: center;"><small>2 Place Decimal ±.010</small></td> <td style="text-align: center;"><small>METRIC</small></td> <td rowspan="2">Division: SWITCH</td> </tr> <tr> <td style="text-align: center;"><small>3 Place Decimal ±.005</small></td> <td style="text-align: center;"><small>1 Place Dec. ±.25mm</small></td> </tr> <tr> <td colspan="2" style="text-align: center;"><small>Angles ±1°</small></td> <td style="text-align: center;"><small>2 Place Dec. ±.13mm</small></td> </tr> <tr> <td colspan="2">Made for: CW IND.</td> <td>Dwg. No. G-168L-0000</td> </tr> <tr> <td colspan="2">Drawn by: DGW 2-04-14</td> <td>Approval: <i>G. Guld 2-10-14</i></td> </tr> <tr> <td colspan="2">Checked by: <i>G. Guld 2-10-14</i></td> <td></td> </tr> <tr> <td colspan="2">Approval: <i>G. Guld 2-10-14</i></td> <td></td> </tr> </table> | CW INDUSTRIES Southampton, Pa. 18966 | | Title: MINI SLIDE SWITCH 3P/3P | <small>TOLERANCES UNLESS OTHERWISE SPECIFIED</small> | | <small>2 Place Decimal ±.010</small> | <small>METRIC</small> | Division: SWITCH | <small>3 Place Decimal ±.005</small> | <small>1 Place Dec. ±.25mm</small> | <small>Angles ±1°</small> | | <small>2 Place Dec. ±.13mm</small> | Made for: CW IND. | | Dwg. No. G-168L-0000 | Drawn by: DGW 2-04-14 | | Approval: <i>G. Guld 2-10-14</i> | Checked by: <i>G. Guld 2-10-14</i> | | | Approval: <i>G. Guld 2-10-14</i> | | |
| | CW INDUSTRIES Southampton, Pa. 18966 | | | Title: MINI SLIDE SWITCH 3P/3P | | | | | | | | | | | | | | | | | | | | | | | | |
| | <small>TOLERANCES UNLESS OTHERWISE SPECIFIED</small> | | | | | | | | | | | | | | | | | | | | | | | | | | | |
| | <small>2 Place Decimal ±.010</small> | | | <small>METRIC</small> | Division: SWITCH | | | | | | | | | | | | | | | | | | | | | | | |
| <small>3 Place Decimal ±.005</small> | <small>1 Place Dec. ±.25mm</small> | | | | | | | | | | | | | | | | | | | | | | | | | | | |
| <small>Angles ±1°</small> | | <small>2 Place Dec. ±.13mm</small> | | | | | | | | | | | | | | | | | | | | | | | | | | |
| Made for: CW IND. | | Dwg. No. G-168L-0000 | | | | | | | | | | | | | | | | | | | | | | | | | | |
| Drawn by: DGW 2-04-14 | | Approval: <i>G. Guld 2-10-14</i> | | | | | | | | | | | | | | | | | | | | | | | | | | |
| Checked by: <i>G. Guld 2-10-14</i> | | | | | | | | | | | | | | | | | | | | | | | | | | | | |
| Approval: <i>G. Guld 2-10-14</i> | | | | | | | | | | | | | | | | | | | | | | | | | | | | |
| 0 | RELEASED: DCW 2-04-14 FEB 11 2014 | | | | | | | | | | | | | | | | | | | | | | | | | | | |