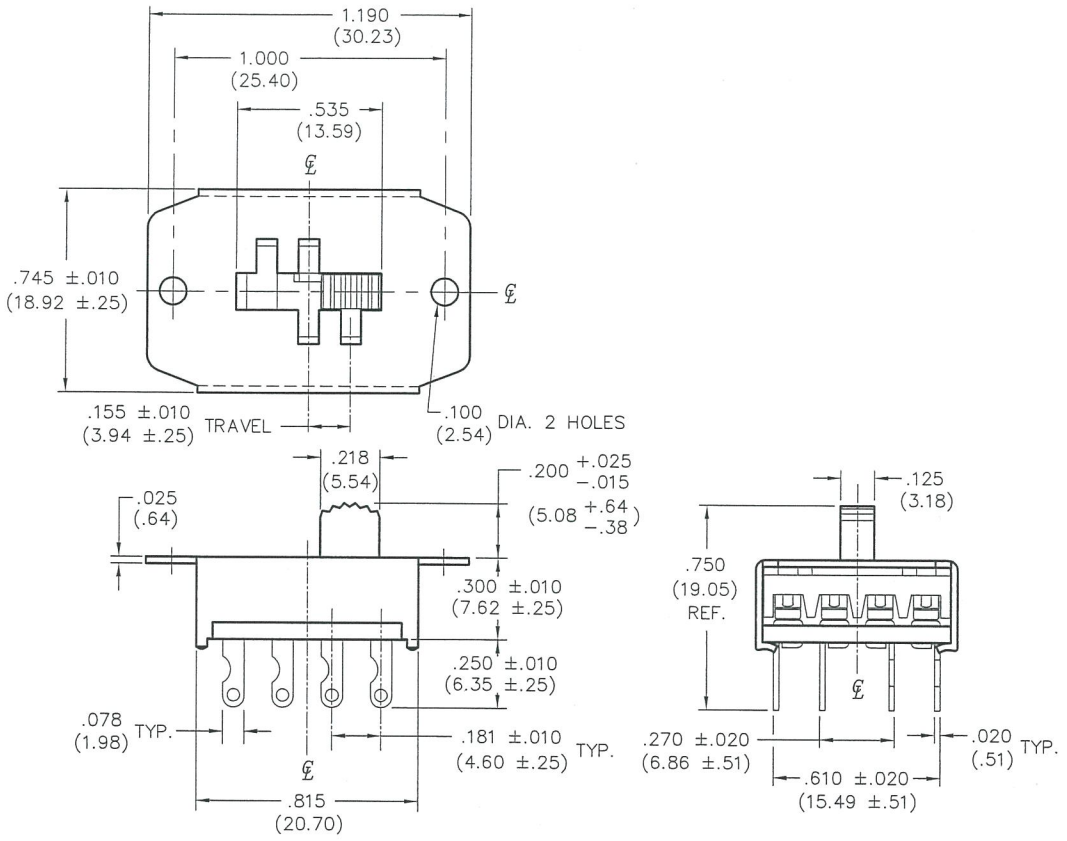


E
 D
 C
 B
 A

THIS INFORMATION IS CONFIDENTIAL AND PROPRIETARY TO CW INDUSTRIES INCORPORATED AND ITS AFFILIATES. IT MAY NOT BE DISCLOSED TO ANYONE, OTHER THAN CW INDUSTRIES PERSONNEL, WITHOUT WRITTEN AUTHORIZATION FROM CW INDUSTRIES INCORPORATED, SOUTHAMPTON, PENNSYLVANIA USA.

DIMENSIONS IN INCHES (MILLIMETERS)
 DO NOT SCALE DRAWING
 Dwg. No. G-169S-0000



1 2 3 4 5 6 7 8 9 10

B-FORMAT 2002
 REVISIONS
 RELEASED 5-23-17
 DWG 5-23-17
 ST
 2 3 2017

PDF MADE	CW INDUSTRIES Southampton, Pa. 18966		Title: MINI SLIDE SWITCH ASSEMBLY 4P/3POS	
	TOLERANCES UNLESS OTHERWISE SPECIFIED			
	2 Place Decimal ±.010	METRIC		1 Place Dec. ±.25mm
	3 Place Decimal ±.005	2 Place Dec. ±.13mm		Angles ±1°
Made for: CW IND.			Division: SWITCH	
Drawn by: DGW 5-23-17			Dwg. No. G-169S-0000	
Checked by: G. GOLD 5-23-17				
Approval: <i>[Signature]</i> 5/23/17				

MASTER