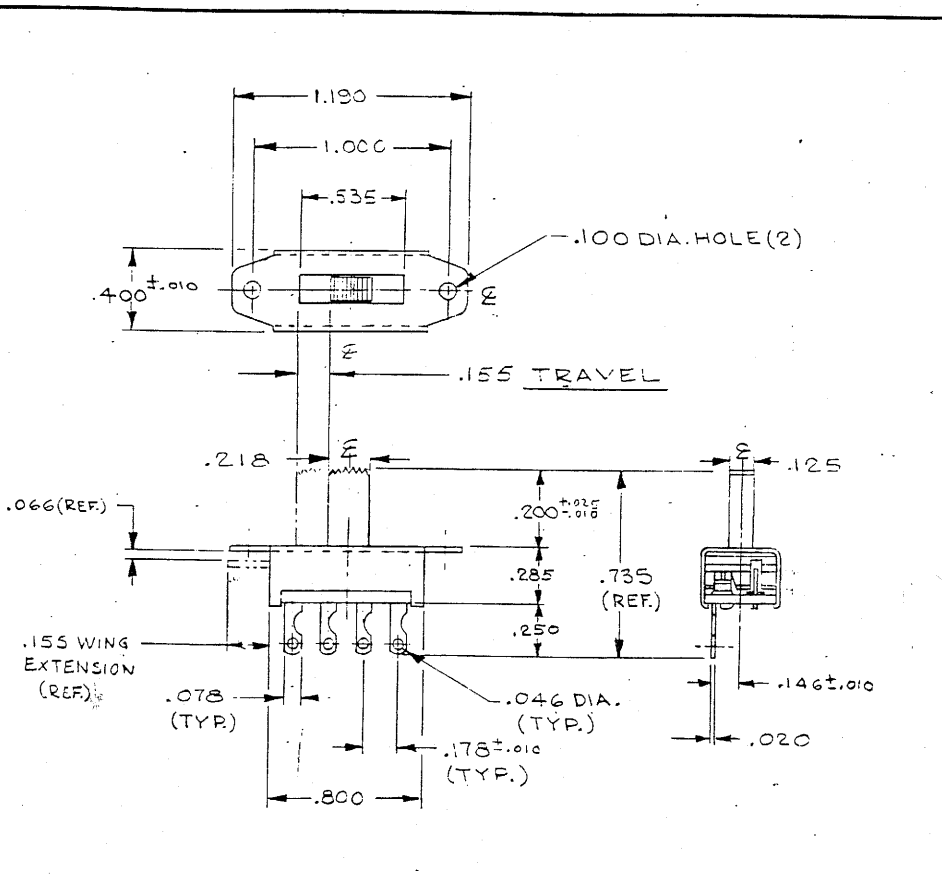
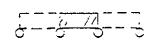


THIS IS A REDUCTION
DO NOT SCALE



G-173 - single pole/three position
spring return each end to
center.



Electrical Rating:
0.5 amp AC-DC at 125 v. U.L. Listed

Mounting:
standard - two 0.100" diameter holes on 1.000" centers.

Terminals:
Standard is terminal G-20-22, but you may specify the
terminal of your choice from those shown in drawing
T-3, page 9, catalog 2096.

Buttons:
Standard is .200" high black G-02-157-1.
Optional are .328" G-02-157-2, .453" G-02-157-3, and .438"
G-02-157.

Toppers:
For dressing up your control panel, add a CW Topper
G-02-56 to your switch button. Available in chrome
and in colors described on page 2, catalog 2096.
For dimensional details and orientation to switch,
see drawing EL-3, page 9, catalog 2096.

G-173-0000

REVISIONS
DATE AP. 1/17/64
ENG. AP. J.V.
HOW 1.8.67

DIMENSIONS ARE IN INCHES. DO NOT SCALE DRAWING.

PDF File Made	VARIATIONS ON FINISHED DIMENSIONS UNLESS OTHERWISE MARKED		BULLETIN 2096-3
	TOLERANCES UNLESS OTHERWISE SPECIFIED		
	1 PLACE DECIMAL	± .010	
	3 PLACE DECIMAL	± .005	
FRACTIONS		± 1/64	FIRST MADE FOR
ANGULAR DIMENSIONS		± 1/2°	DRAWN BY J.V.
CW INDUSTRIES WARMINSTER, PA. 18974			DATE DRAWN
			CHECKED BY
			G-173-0000