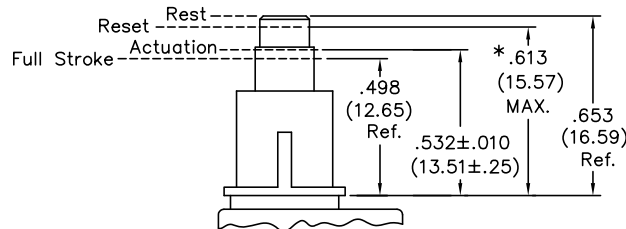
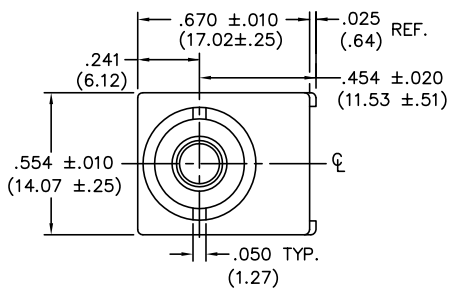


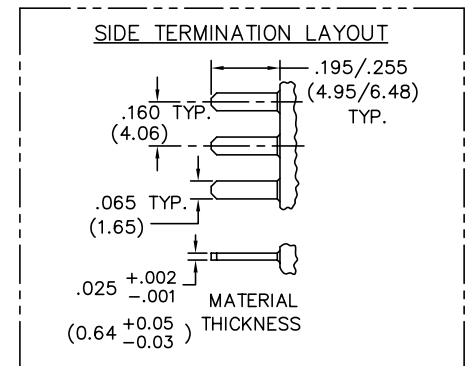
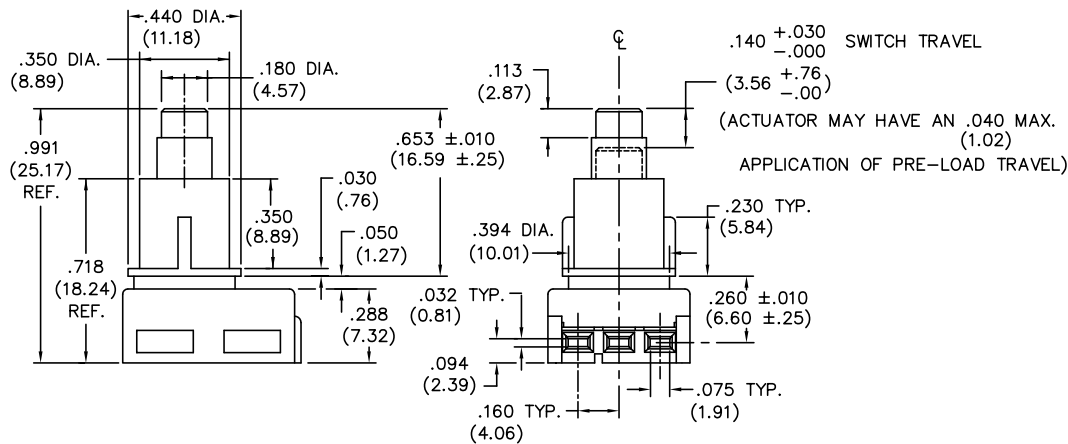
DIMENSIONS IN INCHES (MILLIMETERS)
DO NOT SCALE DRAWING

Dwg. No.
GC-536P-0205



SWITCH TRAVEL SPECIFICATIONS

* Mating Part can Pre-Load Actuator down to .613 (15.57) max..



TERMINATION - Insert male tabs into switch housing using side termination. Refer to side termination layout for dimensions."

E
D
C
B
A

1 2 3 4 5 6 7 8 9 10

FORM-B3
REVISIONS

THIS INFORMATION IS CONFIDENTIAL AND PROPRIETARY TO CW INDUSTRIES INCORPORATED AND ITS AFFILIATES. IT MAY NOT BE DISCLOSED TO ANYONE, OTHER THAN CW INDUSTRIES PERSONNEL, WITHOUT WRITTEN AUTHORIZATION FROM CW INDUSTRIES INCORPORATED, SOUTHAMPTON, PENNSYLVANIA USA.

CW INDUSTRIES Southampton, Pa. 18966		Title: SWITCH ASSEMBLY PUSH ON-PUSH OFF S.P.D.T. W/RIBS
TOLERANCES UNLESS OTHERWISE SPECIFIED		
2 Place Decimal ±.010	METRIC	
3 Place Decimal ±.005	1 Place Dec. ±.25mm	
Angles ±1°	2 Place Dec. ±.13mm	
Made for: CW IND.	Division: SWITCH	
Drawn by: DGW 11-17-2010	Dwg. No. GC-536P-0205	
Checked by: G. Guld 11-18-10		
Approval: EJP 11/19/10		

PDF File Made