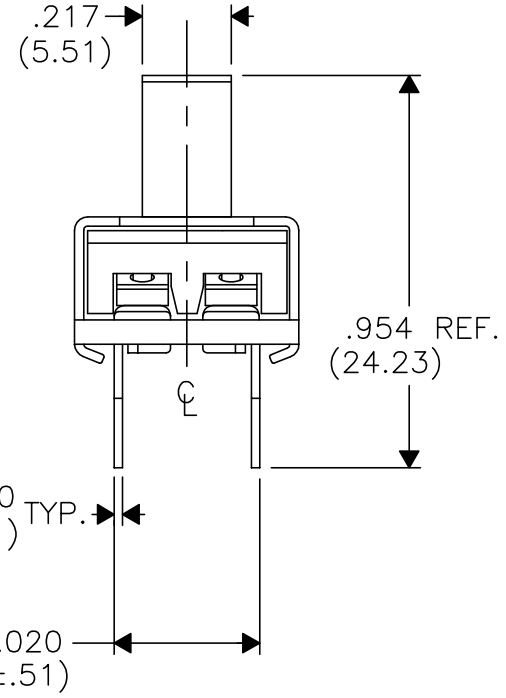
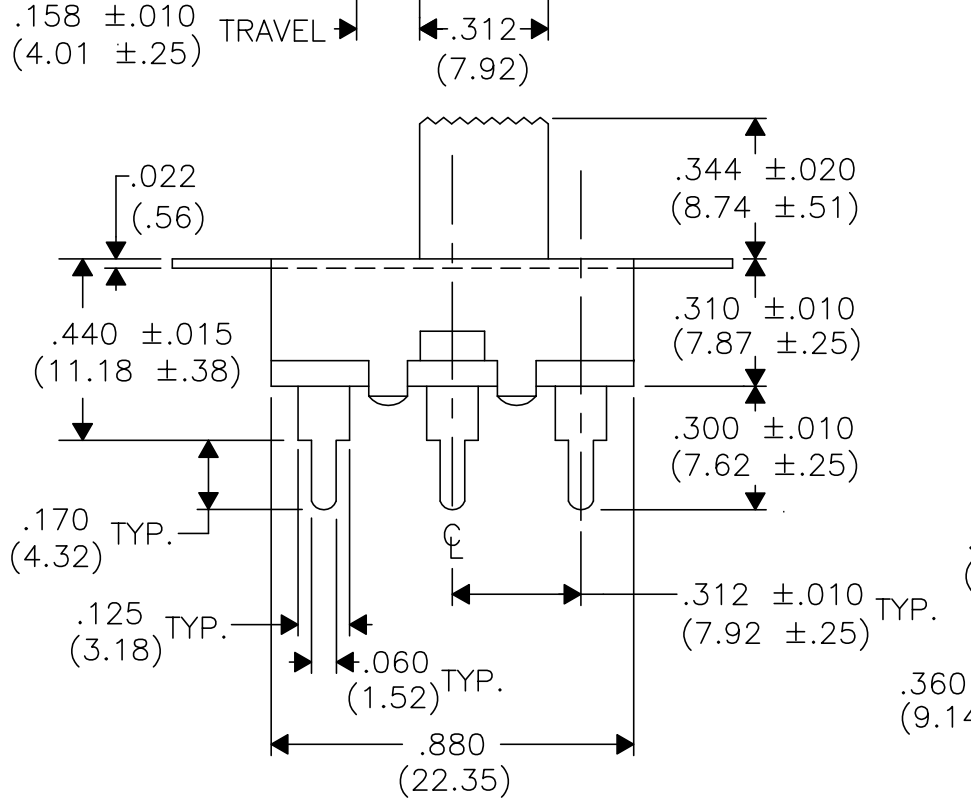
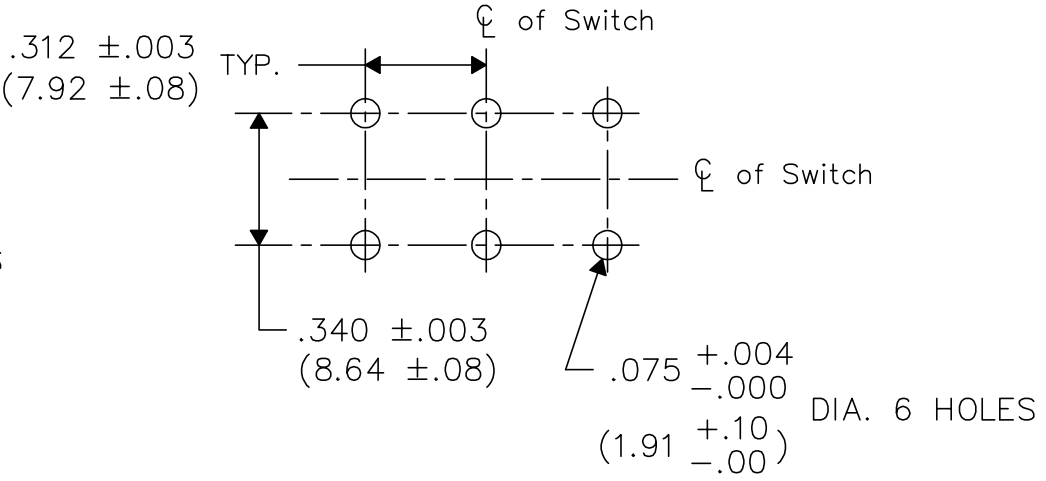
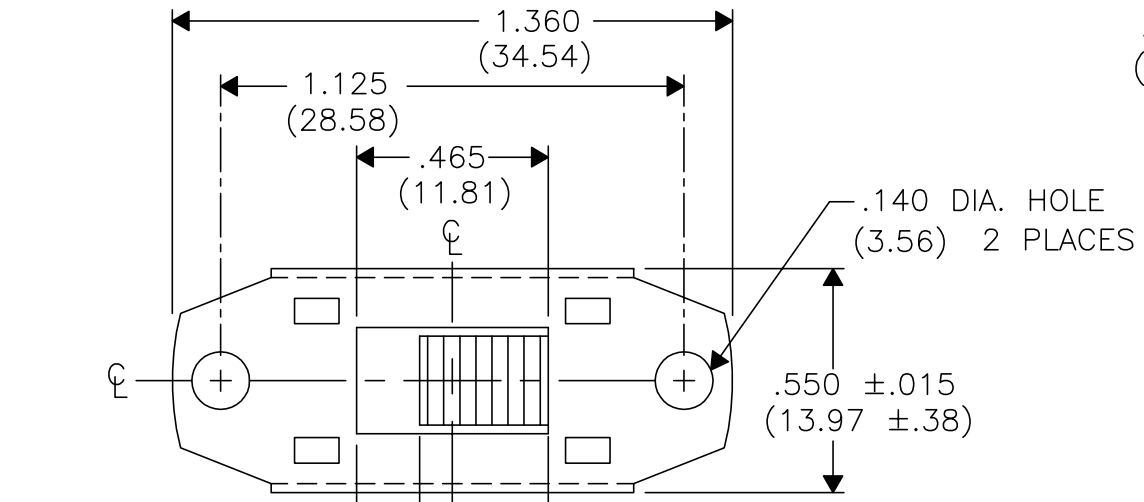


P.C. LAYOUT



E  
D  
C  
B  
A

1 2 3 4 5 6 7 8 9 10

B-FORMAT 2002

REVISIONS

0	RELEASED. DGW 2-07-2005 FEB. 15, 2005
---	---

**CW INDUSTRIES**  
Southampton, Pa. 18966

TOLERANCES UNLESS OTHERWISE SPECIFIED

2 Place Decimal ±.010	METRIC
3 Place Decimal ±.005	1 Place Dec. ±.25mm
Angles ..... ±1°	2 Place Dec. ±.13mm

Made for: CW IND.  
 Drawn by: DGW 2-07-2005  
 Checked by: GG 2-9-05  
 Approval: BF 2-15-5

Title: STANDARD SLIDE SWITCH D.P./D.T.

Division: SWITCH

Dwg. No. GF-1126-0001

PDF File Made