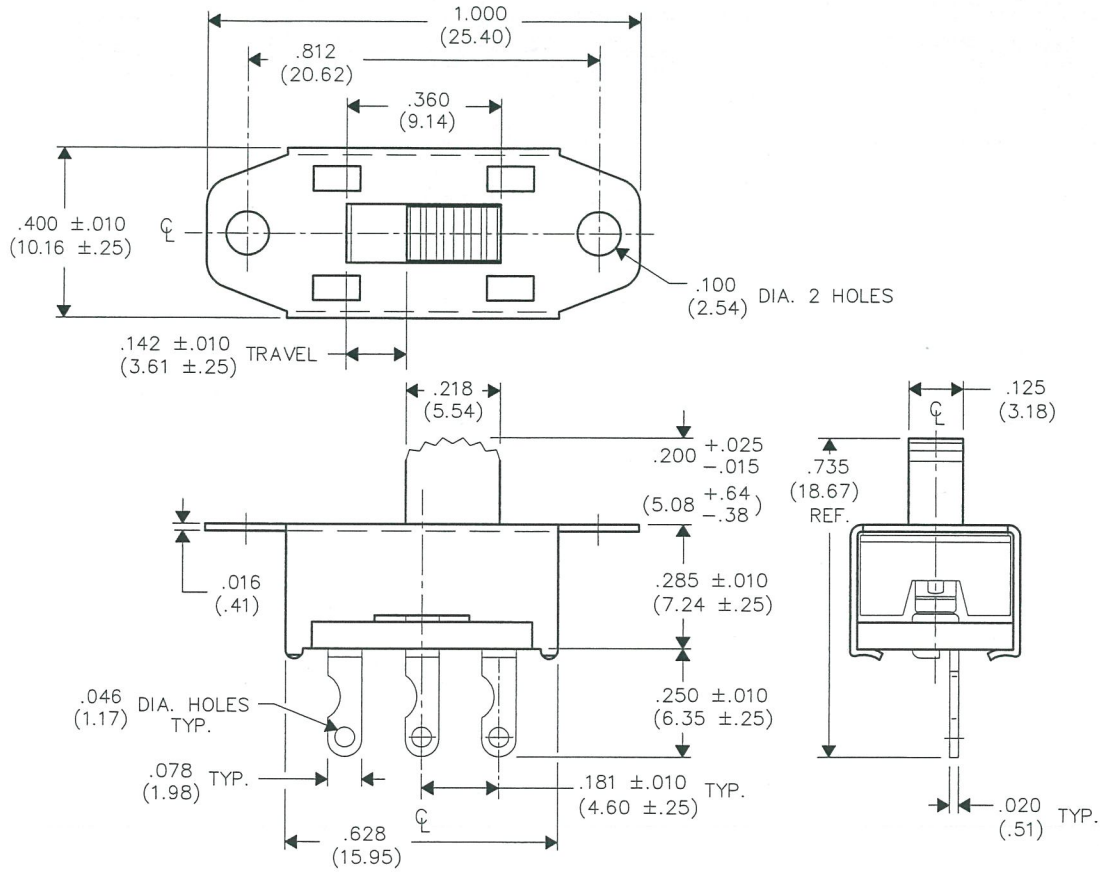


THIS INFORMATION IS CONFIDENTIAL AND PROPRIETARY TO CW INDUSTRIES INCORPORATED AND ITS AFFILIATES. IT MAY NOT BE DISCLOSED TO ANYONE OTHER THAN CW INDUSTRIES PERSONNEL, WITHOUT WRITTEN AUTHORIZATION FROM CW INDUSTRIES INCORPORATED, SOUTHAMPTON, PENNSYLVANIA USA.

DIMENSIONS IN INCHES (MILLIMETERS)  
DO NOT SCALE DRAWING .....

Dwg. No.  
**GF-124-3011**



B-FORMAT 2002	<b>REVISIONS</b>									<p><b>CW INDUSTRIES</b> Southampton, Pa. 18966</p> <p>TOLERANCES UNLESS OTHERWISE SPECIFIED</p> <table border="0"> <tr> <td>2 Place Decimal ±.010</td> <td>METRIC</td> </tr> <tr> <td>3 Place Decimal ±.005</td> <td>1 Place Dec. ±.25mm</td> </tr> <tr> <td>Angles ..... ±1°</td> <td>2 Place Dec. ±.13mm</td> </tr> </table>	2 Place Decimal ±.010	METRIC	3 Place Decimal ±.005	1 Place Dec. ±.25mm	Angles ..... ±1°	2 Place Dec. ±.13mm
	2 Place Decimal ±.010	METRIC														
	3 Place Decimal ±.005	1 Place Dec. ±.25mm														
	Angles ..... ±1°	2 Place Dec. ±.13mm														
RELEASED: DGW 2-10-2017 FEB 14 2017										Title: <b>MINI - SLIDE SWITCH SWITCH ASSEMBLY</b> Division: <b>SWITCH</b>						
										Dwg. No. <b>GF-124-3011</b>						
										Made for: CW IND. Drawn by: DGW 2-10-2017 Checked by: <i>G. Gold 2-14-17</i> Approved: <i>G. Gold 2-14-17</i>						

MASTER