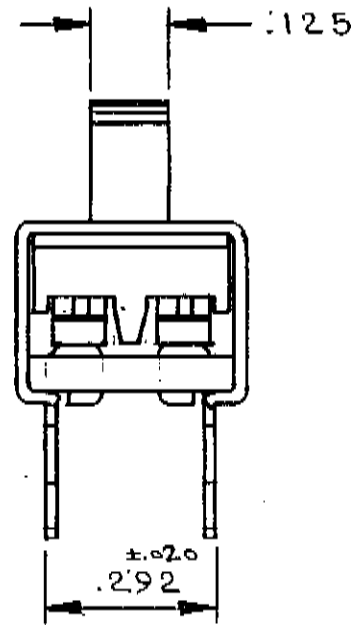
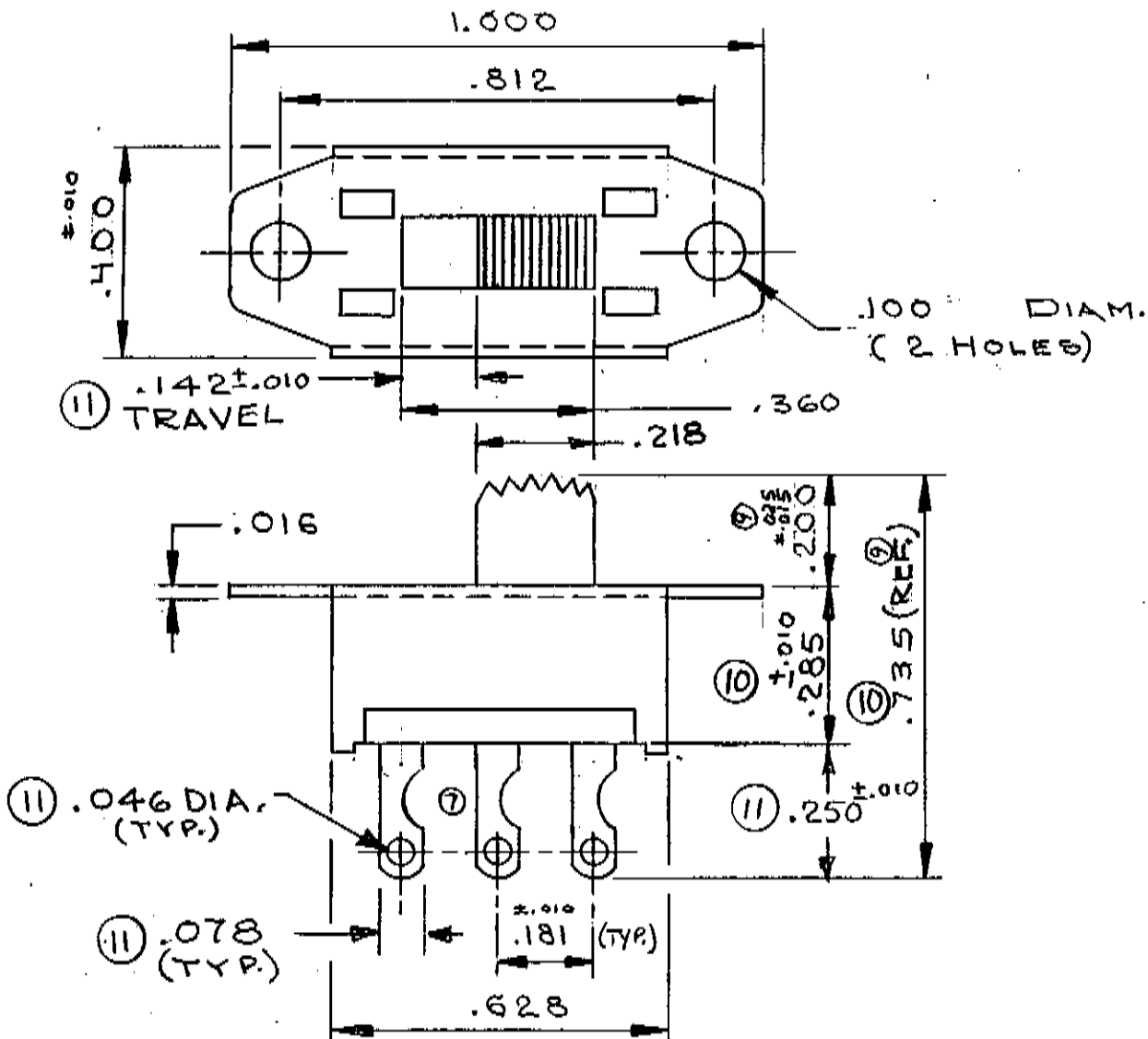


GF-126-0000



ALL SCREW THREADS TO BE CLASS 2 FIT (AMERICAN STANDARDS) UNLESS OTHERWISE SPECIFIED. DIMENSIONS ARE IN INCHES. DO NOT SCALE DRAWING.

REVISIONS	0	6	7	8	9	10	11
ENG. AP.							
REVISION							
DATE							
REVISIONS							
0							
6							
7							
8							
9							
10							
11							

VARIATIONS ON FINISHED DIMENSIONS UNLESS OTHERWISE MARKED		
BASIC DIMENSIONS	FRACTIONAL DIMENSIONS	DECIMAL DIMENSIONS
UP TO 6	± 1/64	± .005
ABOVE 6 TO 24	± 1/32	± .010
ABOVE 24	± 1/16	± .015
ANGULAR DIMENSIONS		± 1/2°

SUB-MINIATURE SWITCH ASS'Y

FIRST MADE FOR CW

DRAWN BY R. C. ...

CHECKED BY J. M. V.

Continental-Wirt Electronics Corp. PHILA., PA. 19144

GF-126-0000