

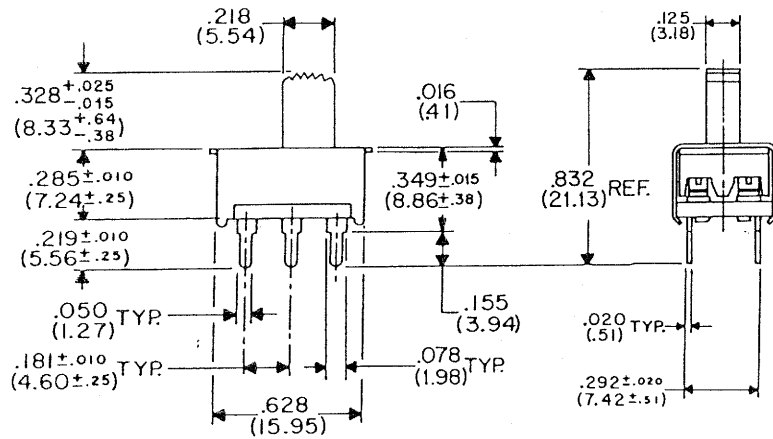
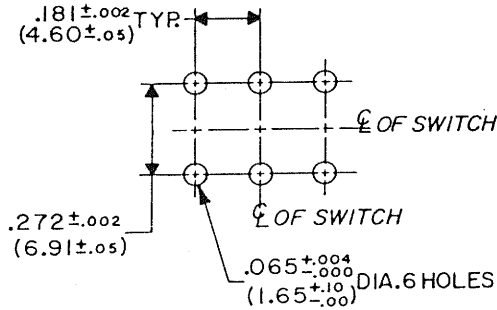
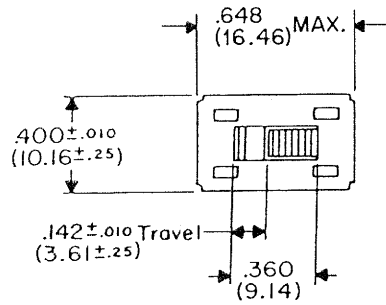
DIMENSIONS IN INCHES (METRIC-MILLIMETERS)
DO NOT SCALE DRAWING.

Drawing Number
GF-126-0008

NOTE:

Dimensions in () are in millimeters.

P.C. LAYOUT



REVISIONS



RELEASED
E.C.J. 12-2-87

PDF File Made

CW INDUSTRIES
Southampton, Pa. 18966

TOLERANCES UNLESS OTHERWISE SPECIFIED
2 Place decimal ± .010 METRIC
3 Place decimal ± .005 1 Place dec ± .25MM
Angles ± 1° 2 Place dec ± .13MM

Made for: C.W. INDUSTRIES
Drawn by: LIS JACKSON 12-2-87
Checked: *[Signature]* 12/4/87
Eng. app: *[Signature]* 12/4/87

**SWIDGET
ASSEMBLY
D.P.-D.T.**

Description: SWITCH

Drawing Number: GF-126-0008

MASTER MASTER