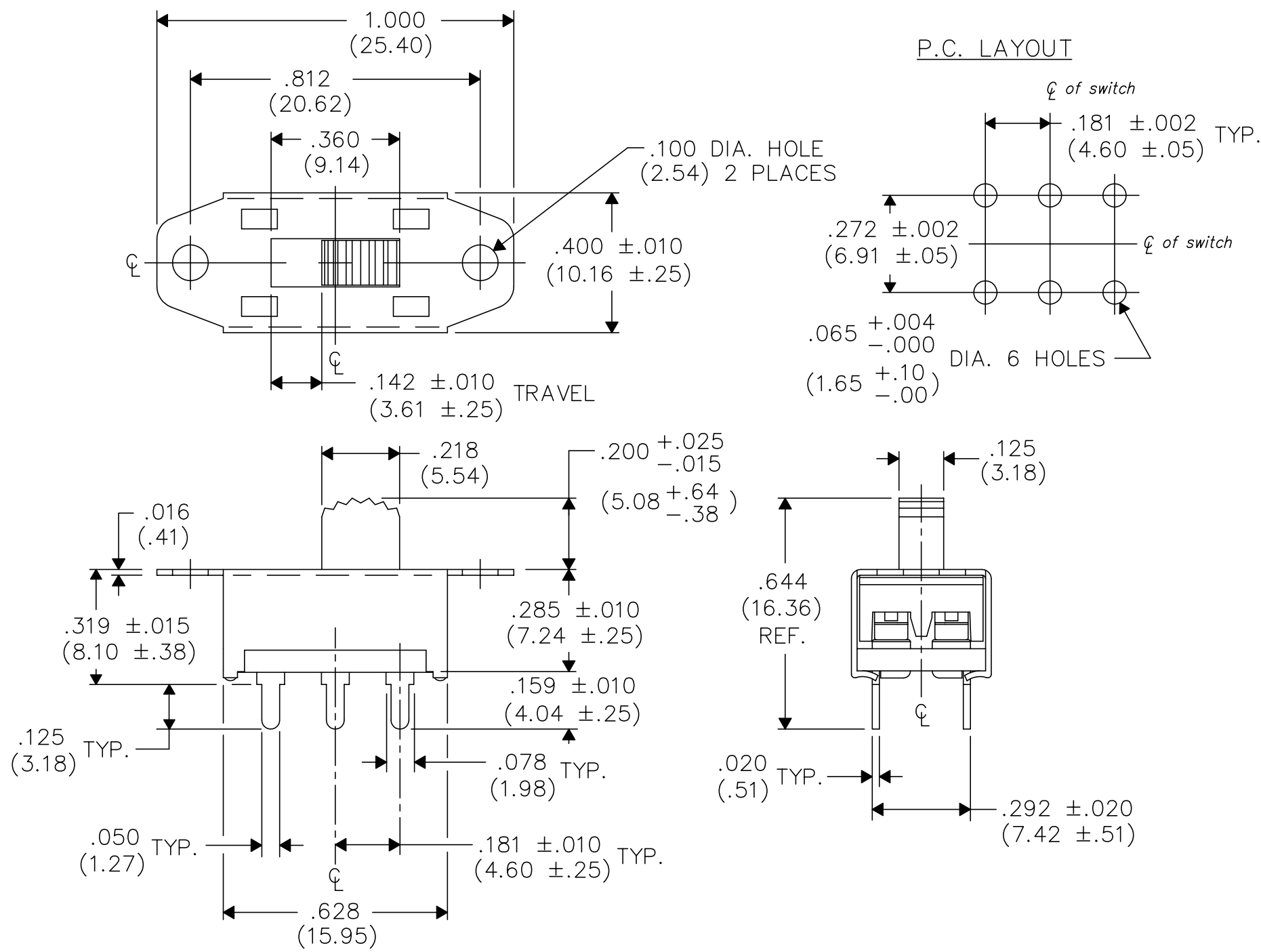


DIMENSIONS IN INCHES (MILLIMETERS)  
DO NOT SCALE DRAWING .....

Dwg. No.  
GF-126-0326



1 2 3 4 5 6 7 8 9 10

B-FORMAT 2002	REVISIONS	0	
		RELEASED.	
		DGW 10-03-2002	
		Oct. 07-2002	

PDF File Made	<b>CW INDUSTRIES</b> Southampton, Pa. 18966		Title:  SWIDGET ASSEMBLY D.P./D.T.
	TOLERANCES UNLESS OTHERWISE SPECIFIED		
	2 Place Decimal ±.010 3 Place Decimal ±.005 Angles ..... ±1°	METRIC 1 Place Dec. ±.25mm 2 Place Dec. ±.13mm	
	Made for: CW IND.	Division: SWITCH	
Drawn by: DGW 10-03-2002	Dwg. No. GF-126-0326		
Checked by: GG 10/7/02			
Approval: BF 10/7/02			