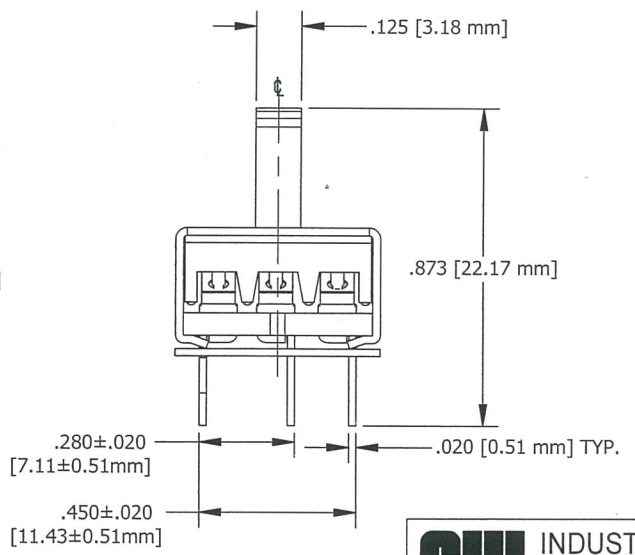
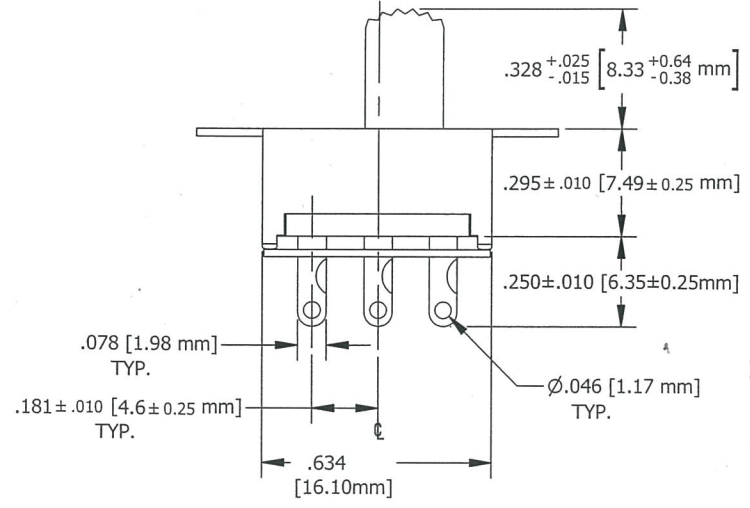
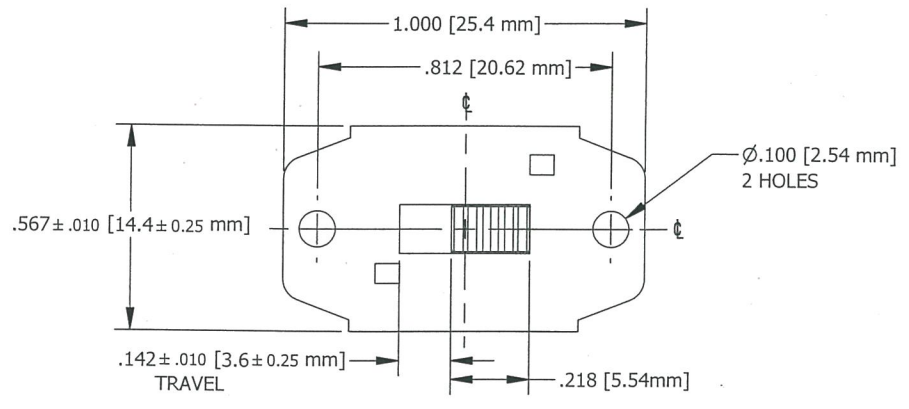


THIS INFORMATION IS CONFIDENTIAL AND PROPRIETARY TO CW INDUSTRIES INCORPORATED AND ITS AFFILIATES. IT MAY NOT BE DISCLOSED TO ANYONE OTHER THAN CW INDUSTRIES PERSONNEL. WITHOUT WRITTEN AUTHORIZATION FROM CW INDUSTRIES INCORPORATED, SOUTHAMPTON, PENNSYLVANIA USA.

DIMENSIONS IN INCHES (MILLIMETERS)  
 DO NOT SCALE DRAWING .....

Dwg. No. <b>GF-161-0039</b>	
REVISIONS	0 NEW <i>3/1/17</i> DATE 01 2017 DGW 2-15-17



**CW INDUSTRIES**  
 Southampton, Pa. 18966  
 TOLERANCES UNLESS OTHERWISE SPECIFIED  
 2 Place Decimal ± .010 METRIC  
 3 Place Decimal ± .005 1 Place Dec. ± .25mm  
 Angles ..... ± 1' 2 Place Dec. ± .13mm

Title:	<b>SWIDGET ASSEMBLY</b> 3 P/D.T.
Made for:	CW IND.
Division:	SWITCH
Drawn by:	DGW 2-15-17
Checked by:	<i>G. Guld 2-28-17</i>
Dwg. No.:	<b>GF-161-0039</b>
Approval:	<i>C. Heiser 3/1/17</i>

MASTER