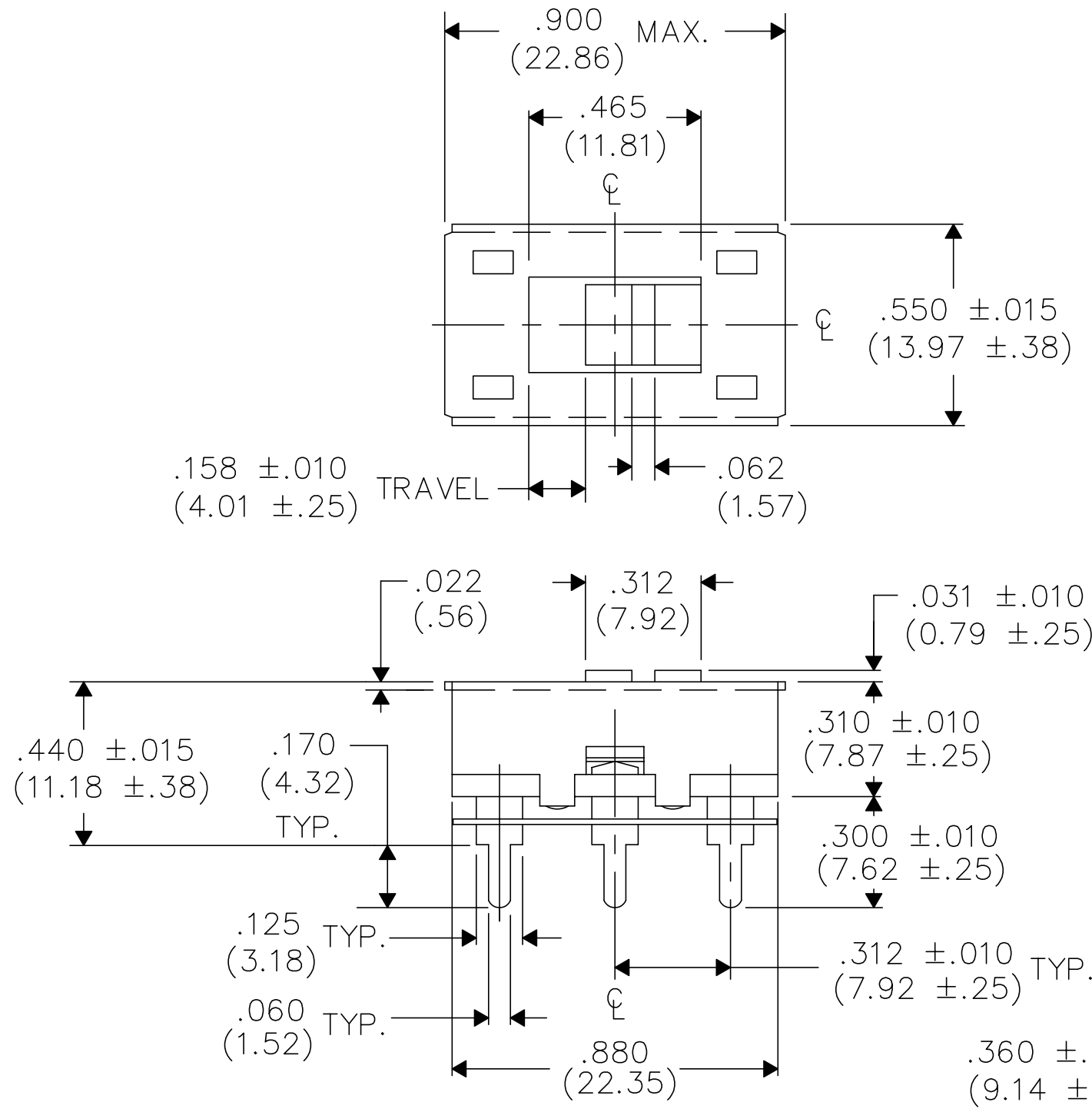


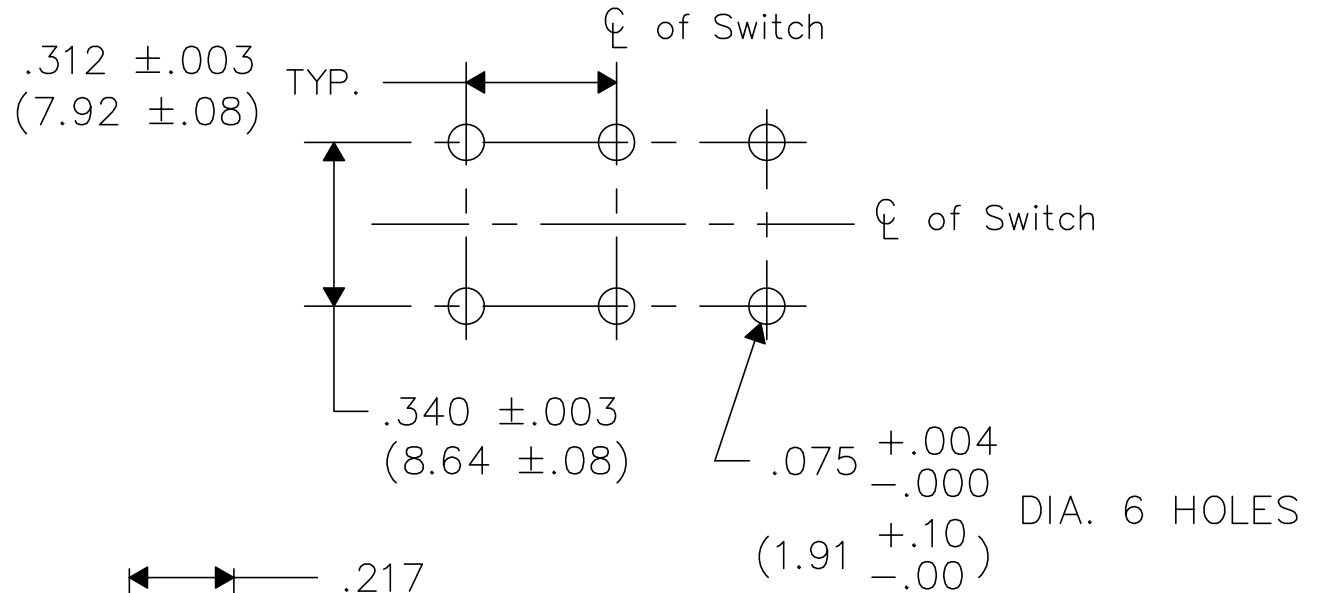
DIMENSIONS IN INCHES (MILLIMETERS)  
DO NOT SCALE DRAWING .....

Dwg. No.  
GF-326-0127

E  
D  
C  
B  
A



P.C. LAYOUT



1 2 3 4 5 6 7 8 9 10

B-FORMAT 2002

REVISIONS

0	RELEASED. DGW 10-07-2003 OCT. 21, 2003
---	--

PDF File Made

<b>CW INDUSTRIES</b> Southampton, Pa. 18966	
TOLERANCES UNLESS OTHERWISE SPECIFIED	
2 Place Decimal ±.010	METRIC
3 Place Decimal ±.005	1 Place Dec. ±.25mm
Angles ..... ±1°	2 Place Dec. ±.13mm
Made for: CW IND.	Division: SWITCH
Drawn by: DGW 10-07-2003	Dwg. No. GF-326-0127
Checked by: GG 10-17-03	
Approval: BF 10-17-3	

Title: SWITCH ASSEMBLY D.P.- D.T. SLOTTED BUTTON
Dwg. No. GF-326-0127