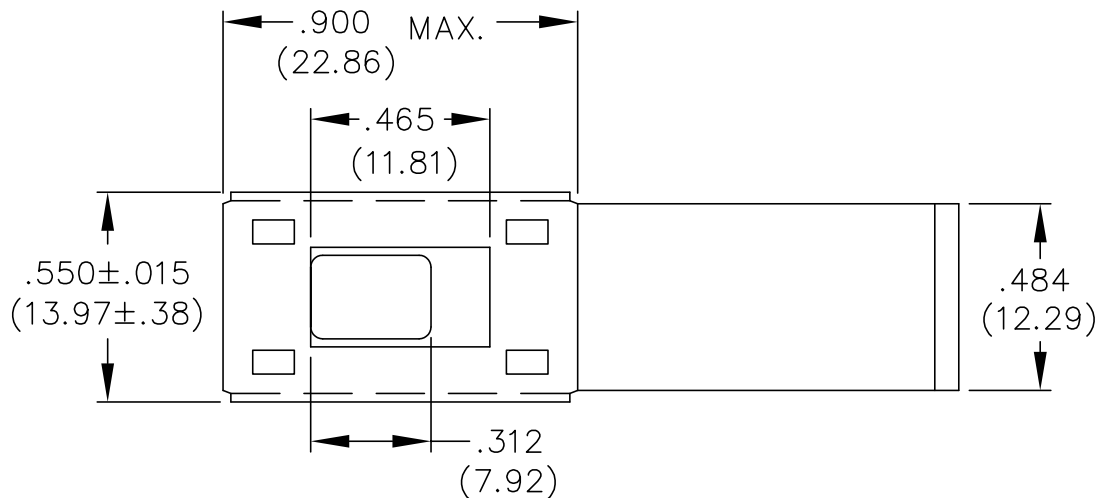
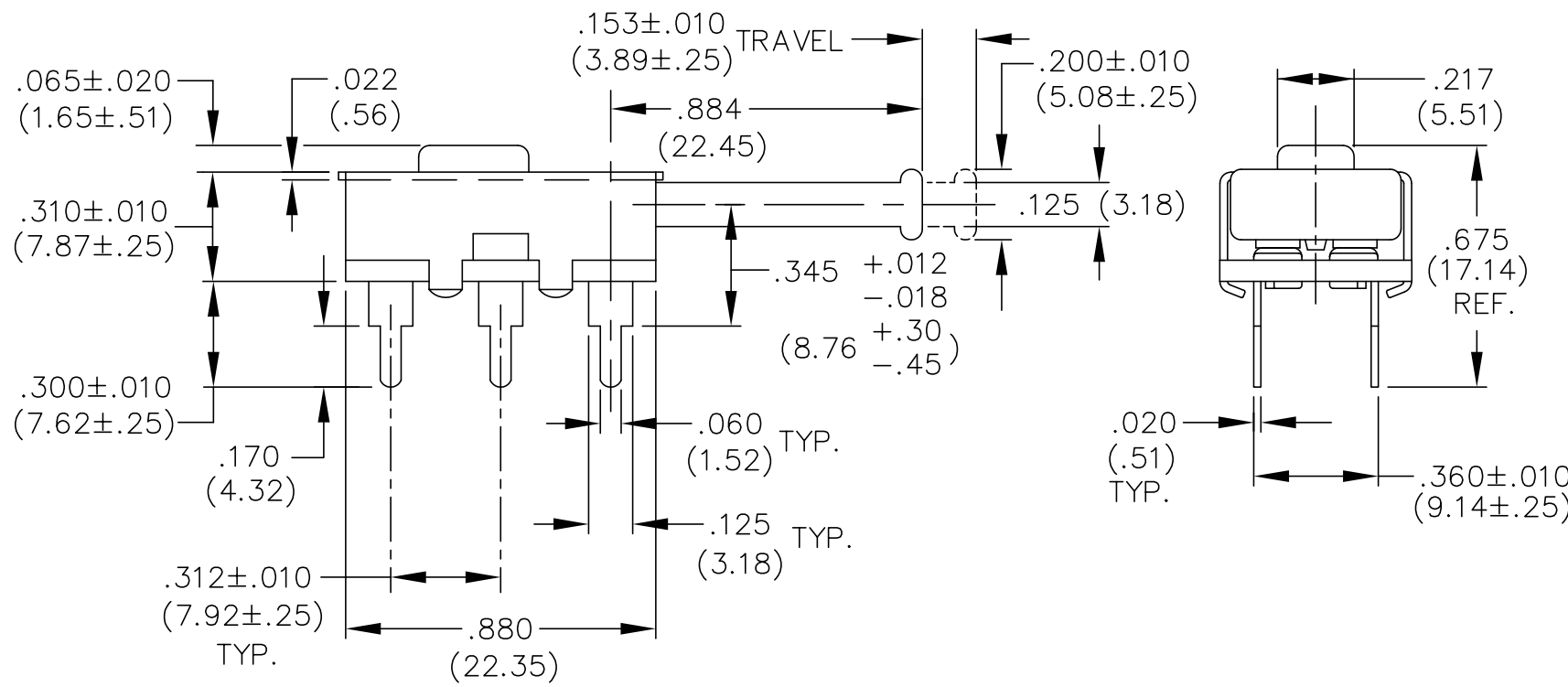
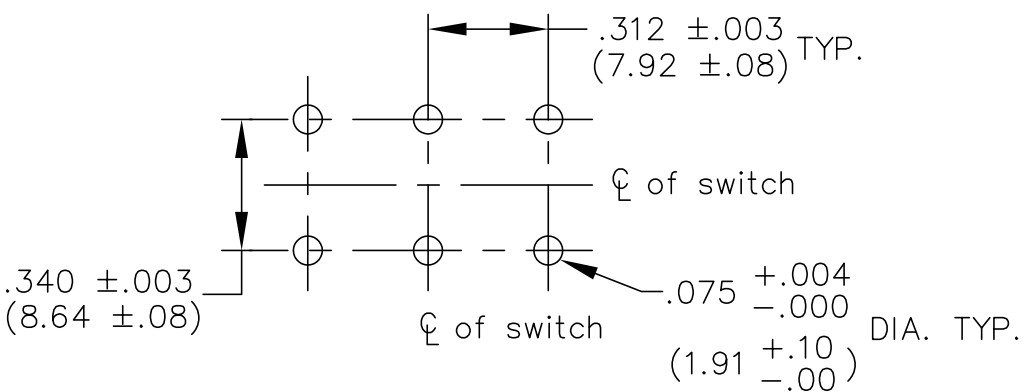


DIMENSIONS IN INCHES (MILLIMETERS)
DO NOT SCALE DRAWING

Dwg. No.
GF-326-0245



P.C. LAYOUT



1 2 3 4 5 6 7 8 9 10

FORM-B4
REVISIONS
0
RELEASED.
DGW 3-22-2002

CW INDUSTRIES
Southampton, Pa. 18966
TOLERANCES UNLESS OTHERWISE SPECIFIED
2 Place Decimal ±.010 METRIC
3 Place Decimal ±.005 1 Place Dec. ±.25mm
Angles ±1° 2 Place Dec. ±.13mm
Made for: CW IND.
Drawn by: DGW 3-22-2002
Checked by: GG 3-26-02
Approval: BF 3-26-02

Title: SWITCH ASSEMBLY
D.P.- D.T.
P.C. TERMINALS
Division: SWITCH
Dwg. No. GF-326-0245