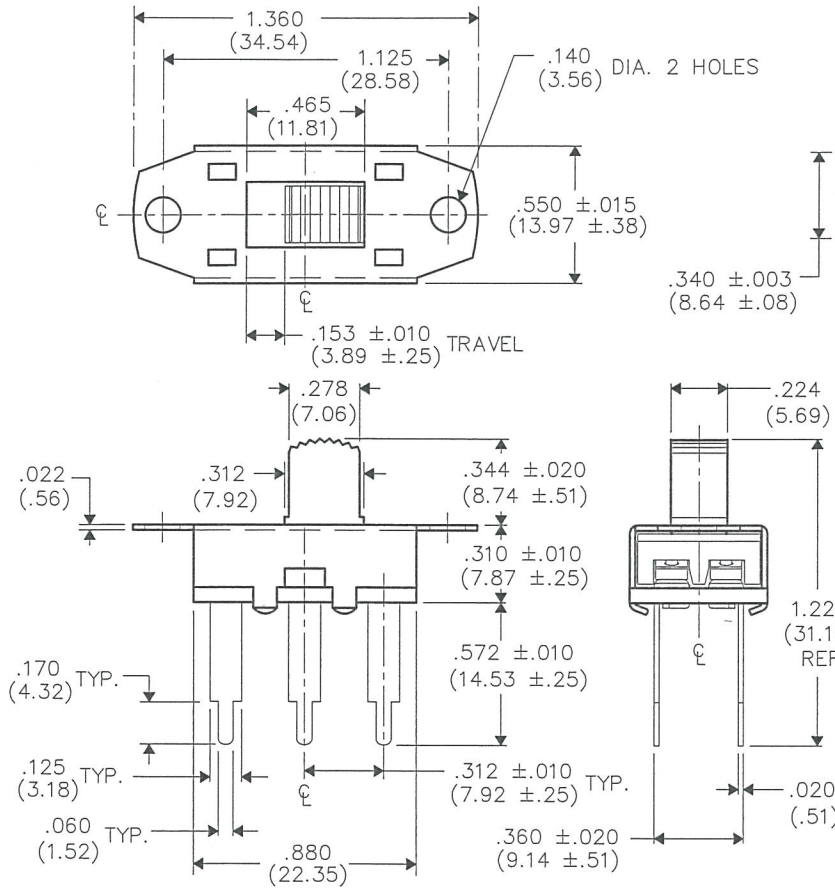


F  
 D  
 C  
 B  
 A

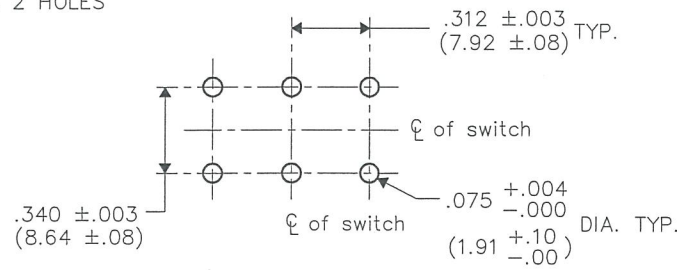
THIS INFORMATION IS CONFIDENTIAL AND PROPRIETARY TO CW INDUSTRIES INCORPORATED AND ITS AFFILIATES. IT MAY NOT BE DISCLOSED TO ANYONE OTHER THAN CW INDUSTRIES PERSONNEL, WITHOUT WRITTEN AUTHORIZATION FROM CW INDUSTRIES INCORPORATED, SOUTHAMPTON, PENNSYLVANIA USA.

DIMENSIONS IN INCHES (MILLIMETERS)  
 DO NOT SCALE DRAWING .....

Dwg. No.  
**GF-326-0267**



**P.C. LAYOUT**



1      2      3      4      5      6      7      8      9      10

B-FORMAT 2002

**REVISIONS**

0	RELEASED DGW 7-12-13 JUL 19 2013
---	--

CW INDUSTRIES Southampton, Pa. 18966	Title: <b>SWITCH ASSEMBLY</b> D.P. - D.T.
	Division: <b>SWITCH</b>
TOLERANCES UNLESS OTHERWISE SPECIFIED 2 Place Decimal ±.010 METRIC 3 Place Decimal ±.005 1 Place Dec. ±.25mm Angles ..... ±1' 2 Place Dec. ±.13mm	Dwg. No. <b>GF-326-0267</b>
Made for: CW IND.	Approval: <i>G. Gold 7-16-13</i>
Drawn by: DGW 7-12-13	Approved: <i>G. Gold 7-16-13</i>
Checked by: <i>G. Gold 7-16-13</i>	PDF MADE

MASTER