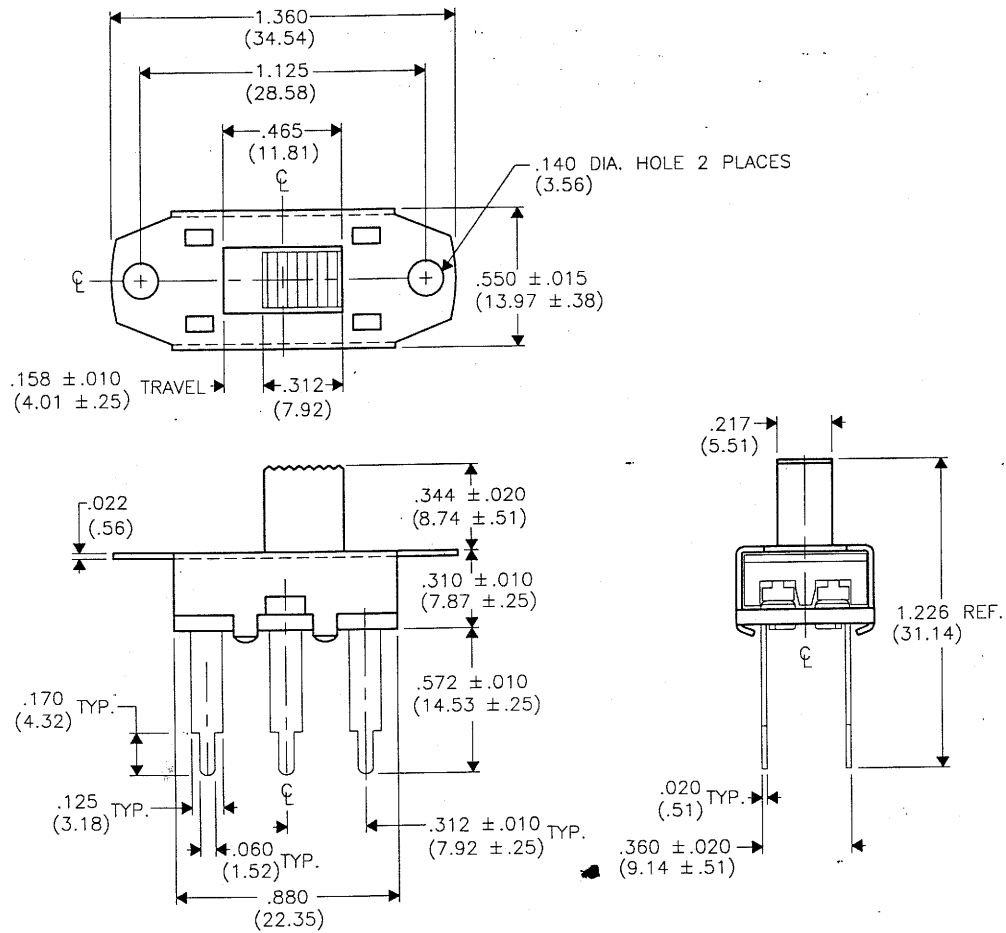


DIMENSIONS IN INCHES (MILLIMETERS)  
DO NOT SCALE DRAWING .....

Dwg. No.  
GF-326-0276



FORM-B

REVISIONS

0  
RELEASED  
DGW 8-29-94

PDF File Made

ID. No.: SAF0200A

**CW INDUSTRIES**  
Southampton, Pa. 18966

TOLERANCES UNLESS OTHERWISE SPECIFIED  
2 Place decimal ±.010 METRIC  
3 Place decimal ±.005 1 Place dec. ±.25mm  
Angles ..... ± 1° 2 Place dec. ±.13mm

Made for: CW IND.

Drawn by: DGW 8-29-94

Checked by: G. G. L. 8-31-94

Approval: C. Harris 9/1/94

Title:

SWITCH  
ASSEMBLY  
D.P. - D.T.

Division:

SWITCH

Dwg. No.

GF-326-0276