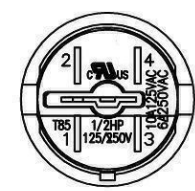
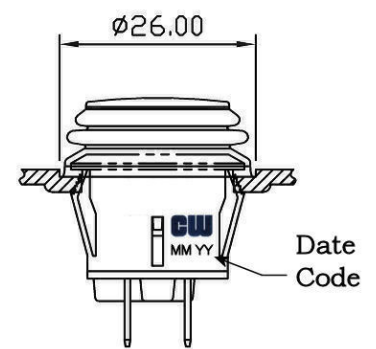
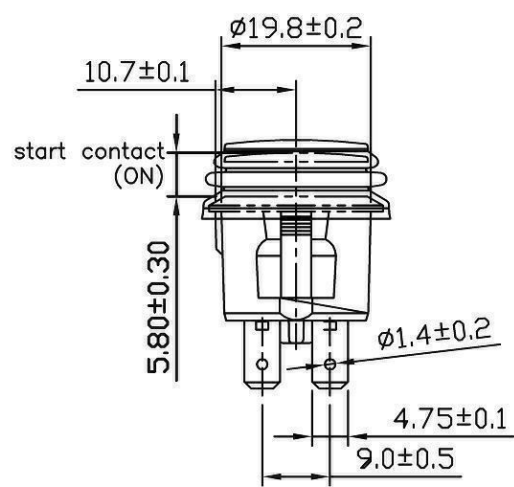
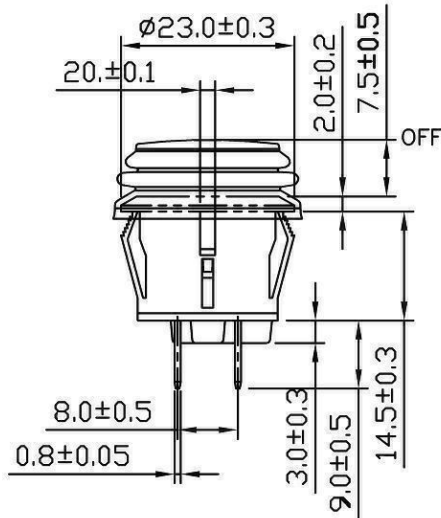
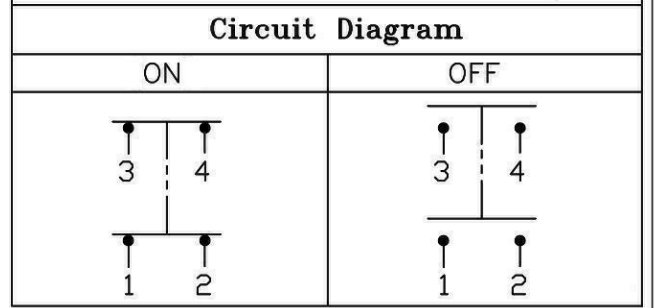
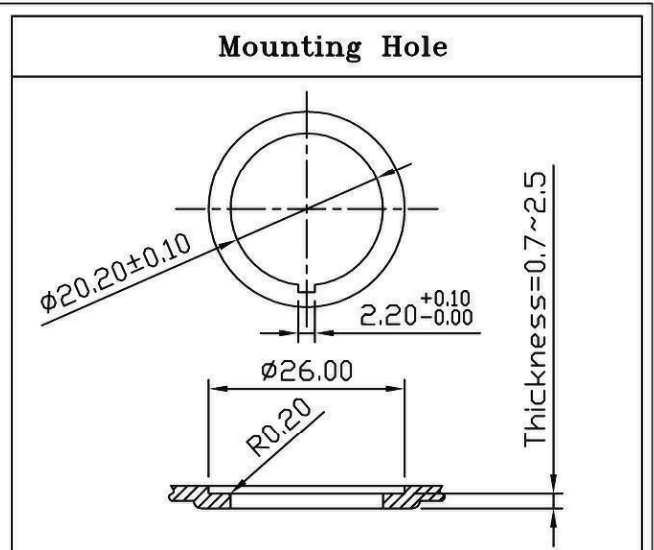
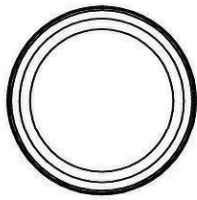


THIS INFORMATION IS CONFIDENTIAL AND PROPRIETARY TO CW INDUSTRIES INCORPORATED AND ITS AFFILIATES. IT MAY NOT BE DISCLOSED TO ANYONE, OTHER THAN CW INDUSTRIES PERSONNEL, WITHOUT WRITTEN AUTHORIZATION FROM CW INDUSTRIES INCORPORATED, SOUTHAMPTON, PENNSYLVANIA USA.

Rating	10A 125V, 6A 250V AC 1/2HP 125/250VAC	
	20A 14VDC, 10A 28VDC	
Contact Resistance	50m ohm Max.	
Insulation Resistance	DC 500V 100M ohm Min.	
Dielectric Strength	AC 1500V 1 minute	
Operation Temp.	- 25 °C ~ 85 °C	
Function	4P DPST ON-OFF	

**Material:**  
**Frame:** Black, Nylon 66 (94-V2)  
**Actuator:** Black, PC (94-V2)  
**Terminals:** Silver plated, Copper alloy  
**Waterproof Rubber:** Black, Silicone  
**Printed:** None  
**Waterproof:** IP65



RoHS Compliant

1 | Added date code. 1/17/11.

**CW INDUSTRIES**  
 Southampton, Pa. 18966  
 Tel 215.355.7080/www.cwind.com

Date Drawn: 12/14/10  
 Rev. 1  
 Title: **PUSH BUTTON SWITCH**

Unit: mm  
 Checked By: G.Guld  
 CW P/N:

**GPB527B202BB**