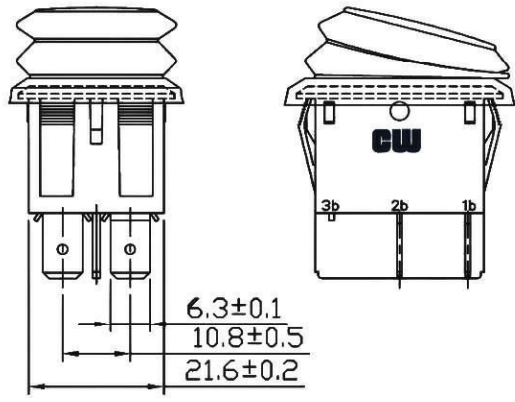
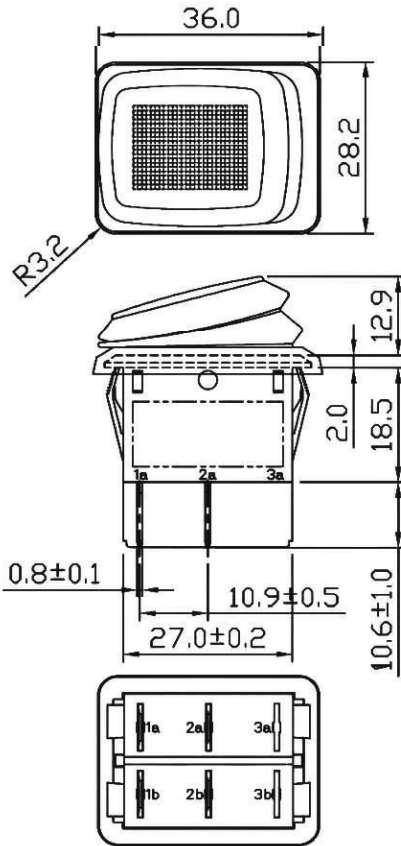


THIS INFORMATION IS CONFIDENTIAL AND PROPRIETARY TO CW INDUSTRIES INCORPORATED AND ITS AFFILIATES. IT MAY NOT BE DISCLOSED TO ANYONE, OTHER THAN CW INDUSTRIES PERSONNEL, WITHOUT WRITTEN AUTHORIZATION FROM CW INDUSTRIES INCORPORATED, SOUTHAMPTON, PENNSYLVANIA USA.

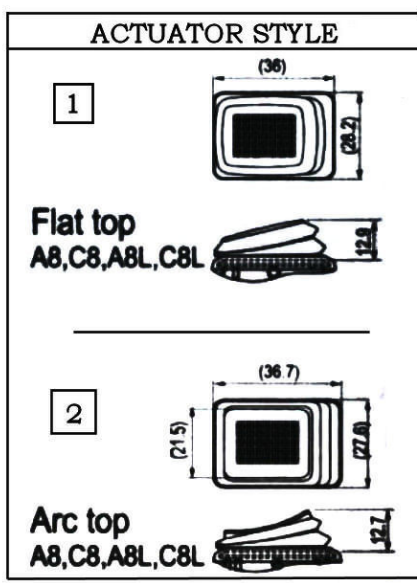
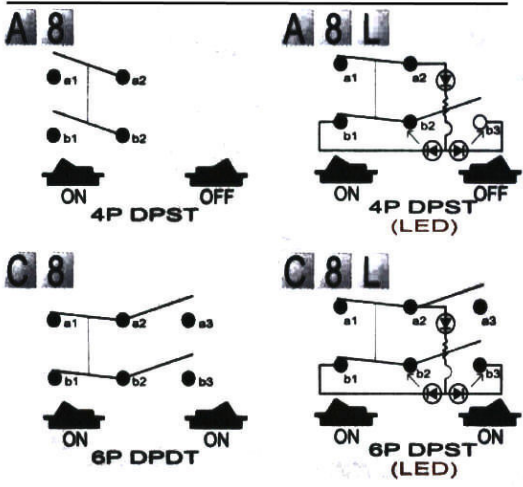
<b>Rating</b>	20A 125V AC 1/3HP 10A 250V AC 1/2HP	<b>Mounting Hole</b>	<b>Circuit Diagram</b>												
	20A 12V DC, 10A 24V DC														
<b>Contact Resistance</b>	50m ohm Max.		See Chart												
<b>Insulation Resistance</b>	DC 500V 100M ohm Min.														
<b>Dielectric Strength</b>	AC 1500V 1 minute														
<b>Operation Temperature</b>	-25°C~85°C.														
<b>Switch Function</b>	See Chart														
		<table border="1"> <tr> <th>Thickness</th> <th>X</th> <th>Y</th> </tr> <tr> <td>0.75...1.25</td> <td>30.2-0.1</td> <td>22.2+0.1</td> </tr> <tr> <td>1.25...2</td> <td>30.4-0.1</td> <td>22.2+0.1</td> </tr> <tr> <td>2...4</td> <td>30.8-0.1</td> <td>22.2+0.1</td> </tr> </table>	Thickness	X	Y	0.75...1.25	30.2-0.1	22.2+0.1	1.25...2	30.4-0.1	22.2+0.1	2...4	30.8-0.1	22.2+0.1	
Thickness	X	Y													
0.75...1.25	30.2-0.1	22.2+0.1													
1.25...2	30.4-0.1	22.2+0.1													
2...4	30.8-0.1	22.2+0.1													



Frames are nylon (UL flame: 94V-2).  
 Actuator is Black, PC (94V-2).  
 Illuminated Actuators are molded in PC, available in  
 Clear, Red, Amber or Green colors.  
 Waterproof Rubber: Black, Silicone.  
 Terminals are silver plated brass.  
 Waterproof to fit IP-65.

**TERMINAL**  
 1 2 3 .250" SQ

**FUNCTION**



RoHS Compliant

**CW INDUSTRIES**  
 Southampton, Pa. 18966  
 Tel 215.355.7080/www.cwind.com

Date Drawn: 1/25/11

Rev. 0

Unit: mm

Checked By: G.Guld

Title: **ROCKER SWITCH**

CW P/N: **GRB285X8SERIES**