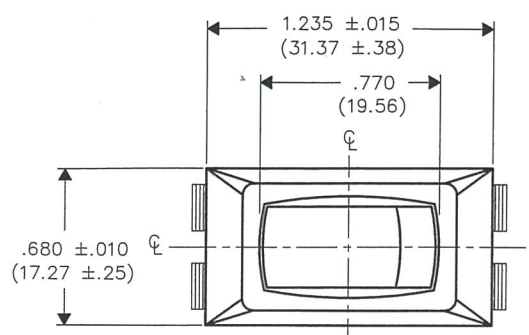


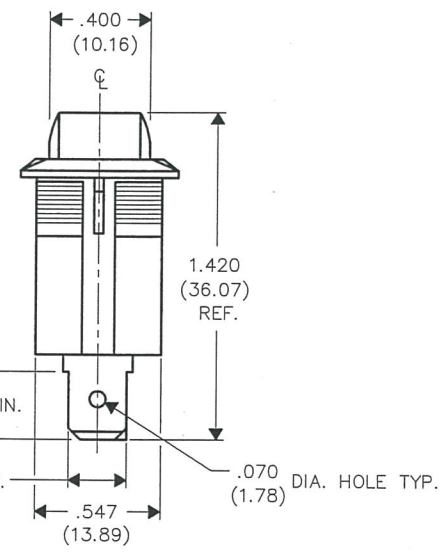
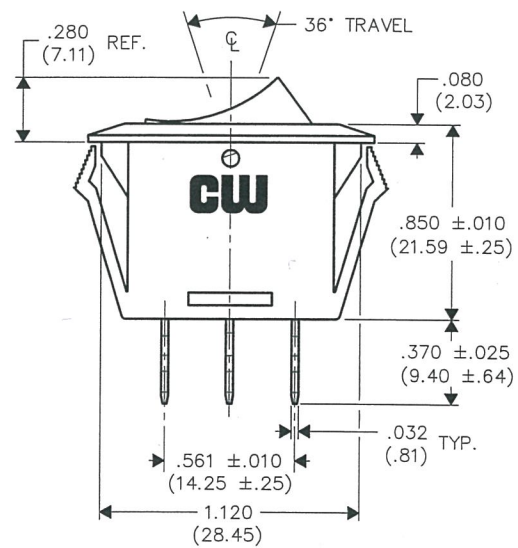
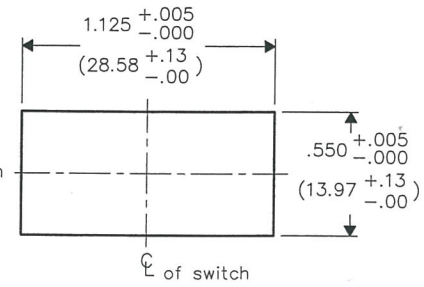
THIS INFORMATION IS CONFIDENTIAL AND PROPRIETARY TO CW INDUSTRIES INCORPORATED AND ITS AFFILIATES. IT MAY NOT BE DISCLOSED TO ANYONE, OTHER THAN CW INDUSTRIES PERSONNEL, WITHOUT WRITTEN AUTHORIZATION FROM CW INDUSTRIES INCORPORATED, SOUTHAMPTON, PENNSYLVANIA USA.

E
D
C
B
A

DIMENSIONS IN INCHES (MILLIMETERS)
DO NOT SCALE DRAWING
Dwg. No. **GRL-2011-0039**



PANEL PIERCING



BUTTON COLOR— Green Transparent
HOUSING COLOR— Black

SWITCH RATING:
16A AC 125V 12A 250 VAC
3/4 H.P. 125-250VAC
10A 14V(T) Lamp 28V
UL/CSA

1	2	3	4	5	6	7	8	9	10
---	---	---	---	---	---	---	---	---	----

FORM-B3	REVISIONS	NEW DGW	8-12-15 8-12-15	0					
---------	------------------	------------	--------------------	---	--	--	--	--	--

PDF File Made	ID. No.:	CW INDUSTRIES Southampton, Pa. 18966	Title:
		TOLERANCES UNLESS OTHERWISE SPECIFIED	ROCKER SWITCH ASSEMBLY (SNAP IN) S.P.-S.T. LAMP STYLE
		2 Place Decimal ±.010 METRIC 3 Place Decimal ±.005 1 Place Dec. ±.25mm Angles ±1° 2 Place Dec. ±.13mm	Division:
		Made for: CW IND.	SWITCH
	Drawn by: DGW 8-12-15	Checked by: <i>G. GULD 8-12-15</i>	Dwg. No.
	Approval: <i>G. GULD 8-12-15</i>		GRL-2011-0039

MASTER