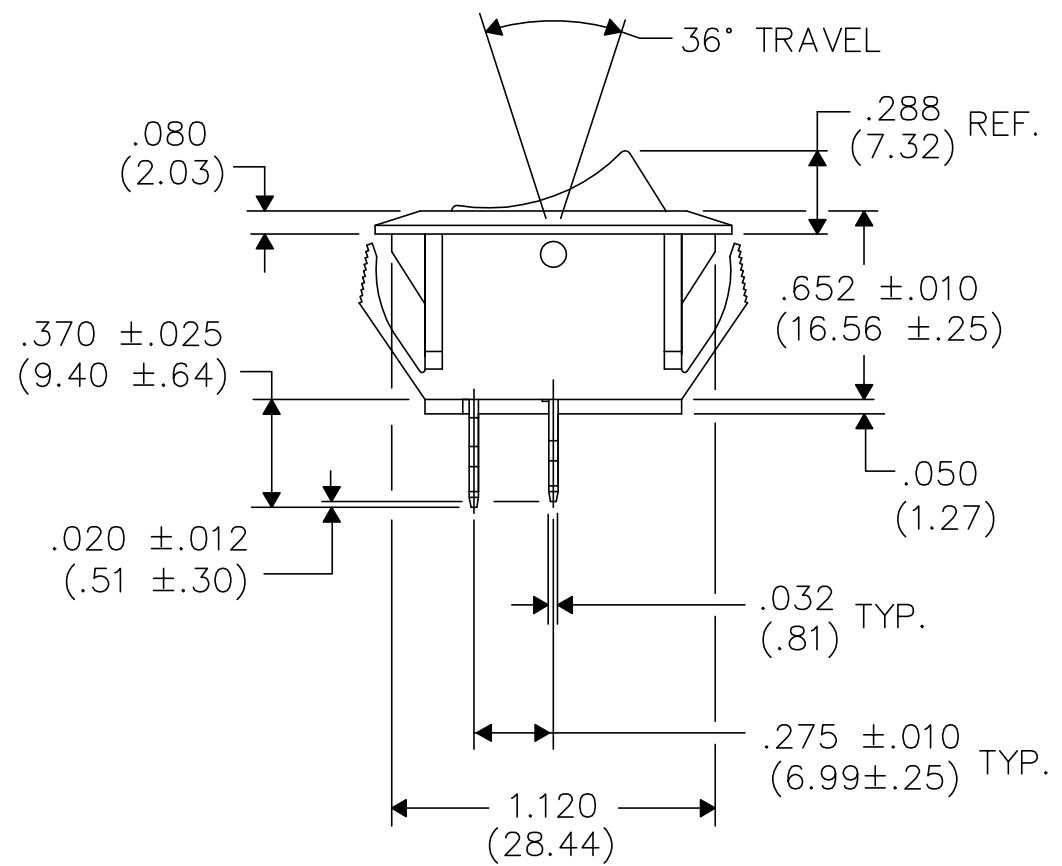
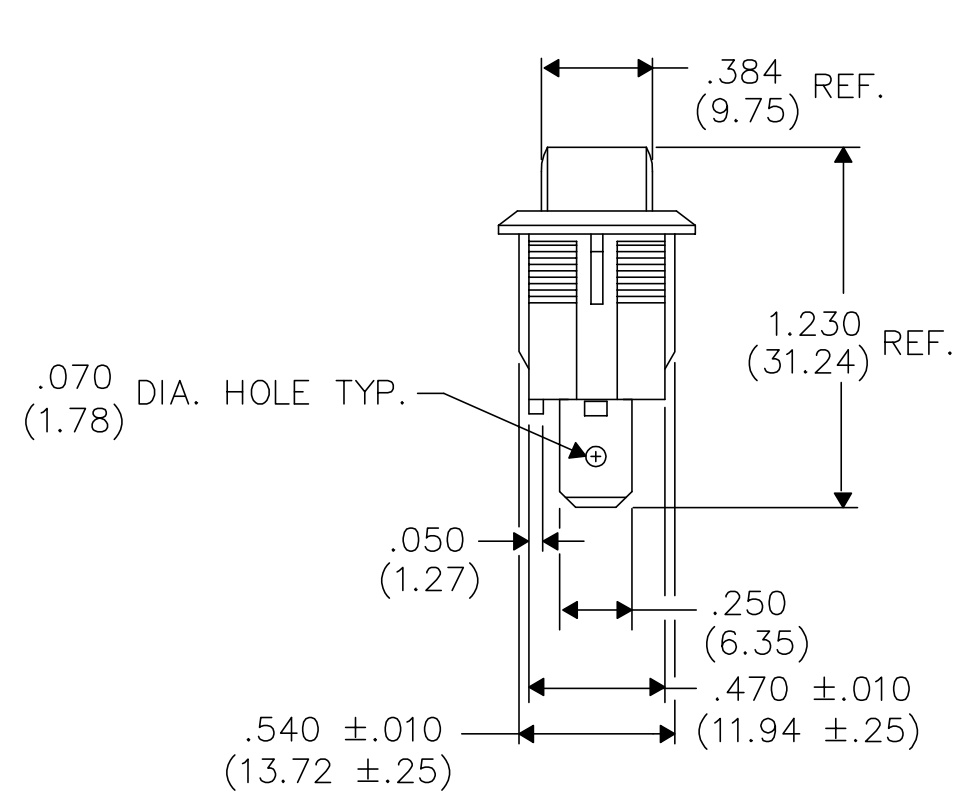
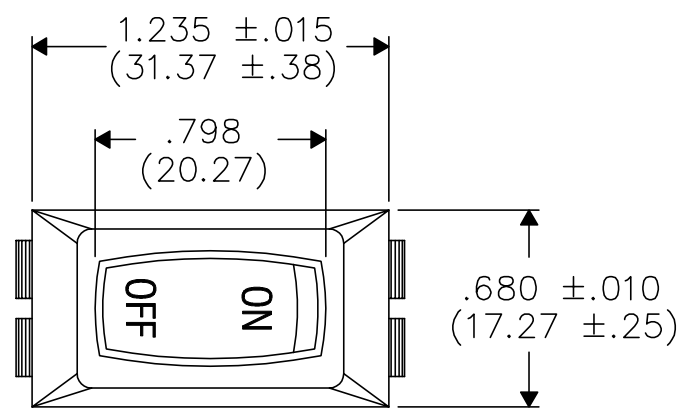
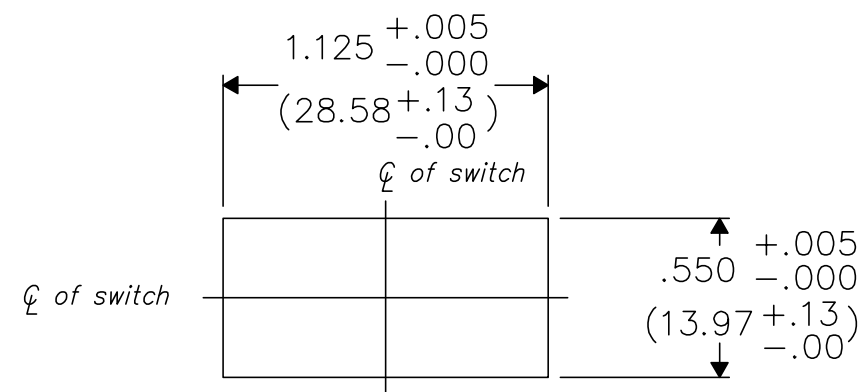


DIMENSIONS IN INCHES (MILLIMETERS)
DO NOT SCALE DRAWING

Dwg. No.
GRS-2011-2098

PANEL PIERCING



1	2	3	4	5	6	7	8	9	10
---	---	---	---	---	---	---	---	---	----

B-FORMAT 2002
REVISIONS
O
RELEASED.
DGW 1-19-2004
Jan. 19, 2004

CW INDUSTRIES
Southampton, Pa. 18966

TOLERANCES UNLESS OTHERWISE SPECIFIED
2 Place Decimal $\pm .010$ METRIC
3 Place Decimal $\pm .005$ 1 Place Dec. $\pm .25$ mm
Angles $\pm 1^\circ$ 2 Place Dec. $\pm .13$ mm

Title: ASSEMBLY DRAWING
S.P.S.T. ROCKER SWITCH
NON-POLARIZED
1.125" x .550" PANEL

Made for: CW IND.
Drawn by: DGW 1-19-2004
Checked by: GG 1-19-04
Approval: BF 1-19-4

Division: SWITCH
Dwg. No. GRS-2011-2098

PDF File Made