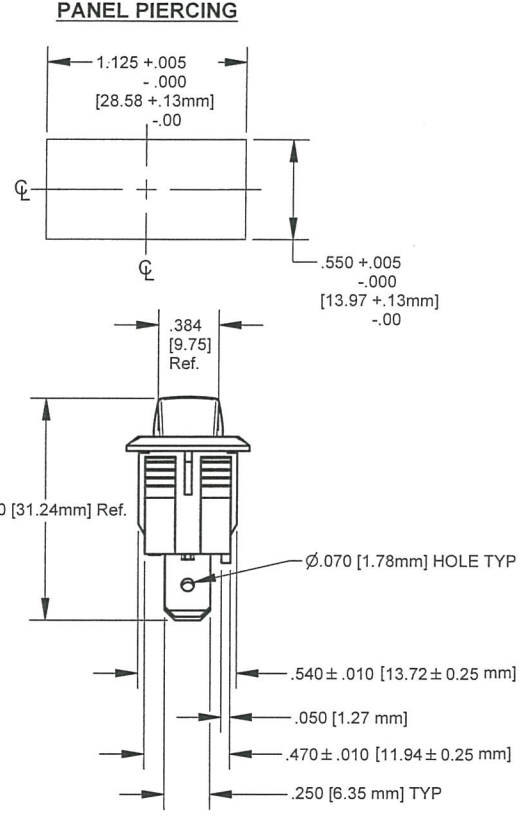
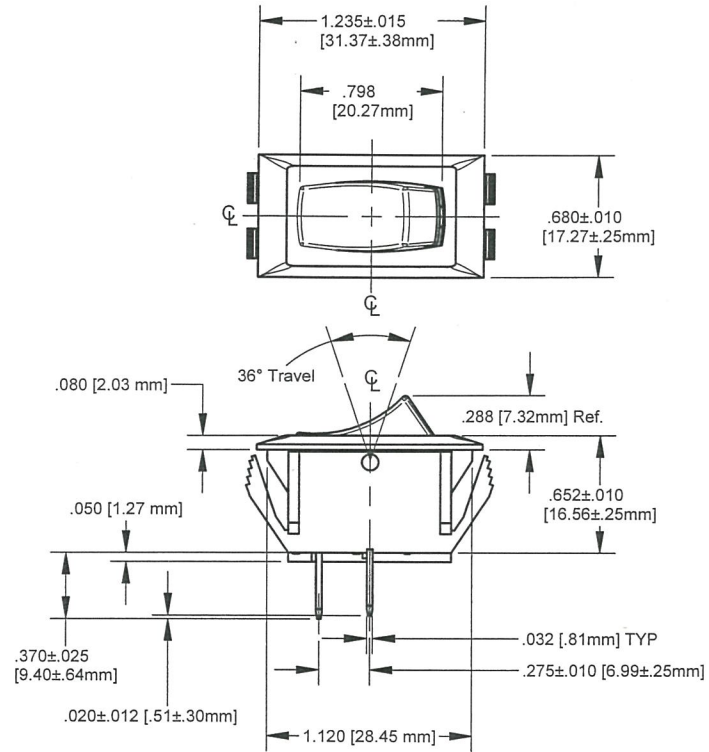


THIS INFORMATION IS CONFIDENTIAL AND PROPRIETARY TO CW INDUSTRIES INCORPORATED AND ITS AFFILIATES. IT MAY NOT BE DISCLOSED TO ANYONE, OTHER THAN CW INDUSTRIES PERSONNEL, WITHOUT WRITTEN AUTHORIZATION FROM CW INDUSTRIES INCORPORATED, SOUTHAMPTON, PENNSYLVANIA USA.

DIMENSIONS IN INCHES (MILLIMETERS)
 DO NOT SCALE DRAWING

Dwg. No.
GRS-2011-2131

F
 D
 C
 B
 A



AGENCY LISTINGS:
 UL & CSA - 16A. 125VAC
 12A. 250VAC
 3/4 HP 125-250 VAC
 10A. 14 V T
 VDE - 12 (6)A. 250 ~
 T 85°

B-FORMAT 2010	REVISIONS	0	1																	
		NEW	JRB 5-15-2012	ADDED RATINGS.	DGW 6-15-2012															

cw INDUSTRIES Southampton, Pa. 18966	TOLERANCES UNLESS OTHERWISE SPECIFIED		Title: ASSEMBLY DRAWING SPST ROCKER SWITCH OPTIONAL RETENTION 1.125" x .550" PANEL
	2 Place Decimal ± .010	METRIC	
	3 Place Decimal ± .005	1 Place Dec. ± .25mm	Division: SWITCH
	Angles ± 1'	2 Place Dec. ± .13mm	Dwg. No. GRS-2011-2131
Made for:	CW IND		
Drawn by:	JRB 5-15-2012		
Checked by:	G. Gold 5-15-12		
Approval:	C. Hansen 5/15/12		

MASTER