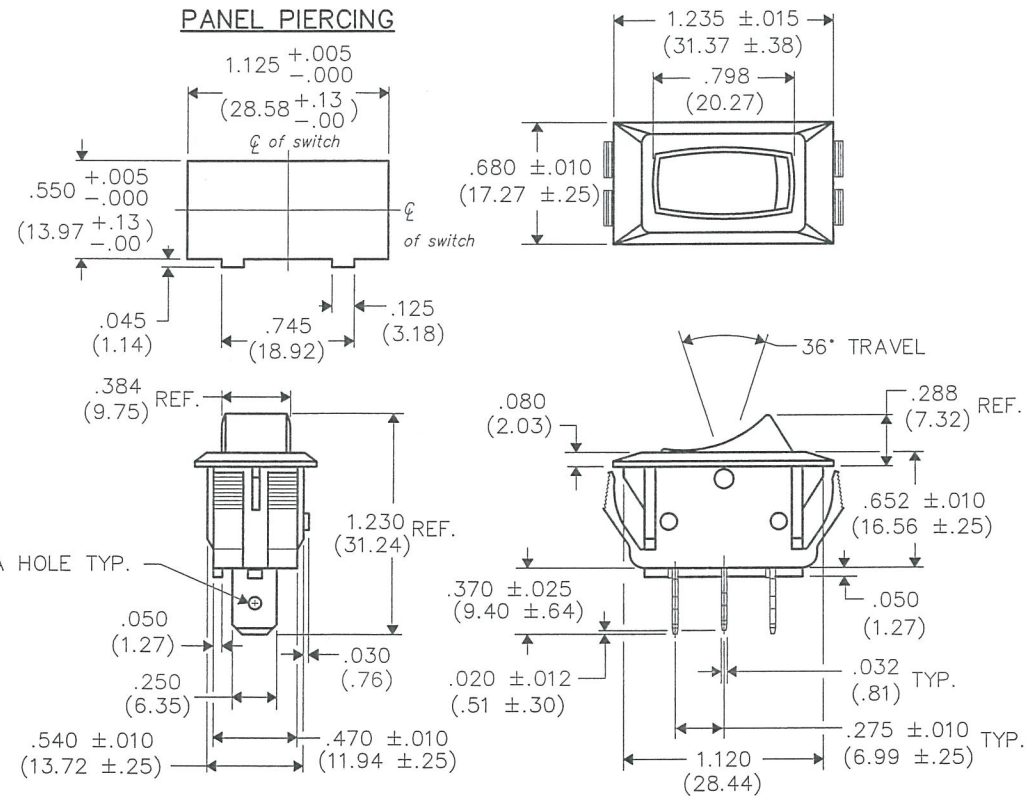


F
 D
 C
 B
 A

THIS INFORMATION IS CONFIDENTIAL AND PROPRIETARY TO CW INDUSTRIES INCORPORATED AND ITS AFFILIATES. IT MAY NOT BE DISCLOSED TO ANYONE OTHER THAN CW INDUSTRIES PERSONNEL, WITHOUT WRITTEN AUTHORIZATION FROM CW INDUSTRIES INCORPORATED, SOUTHAMPTON, PENNSYLVANIA USA.

DIMENSIONS IN INCHES (MILLIMETERS)
 DO NOT SCALE DRAWING

Dwg. No.
GRS-2012-2021



SWITCH COLOR - White

SWITCH RATINGS:
UL & CSA
 16A. 125VAC 12A. 250VAC
 3/4 H.P. 125-250 VAC 10A. 14V (T)
VDE
 12(6)A. 250V ~ T85°

1 2 3 4 5 6 7 8 9 10

FORM-B4
REVISIONS
 0
 RELEASED.
 DGW 7-01-13
JUL 19 2013

CW INDUSTRIES
 Southampton, Pa. 18966
 TOLERANCES UNLESS OTHERWISE SPECIFIED
 2 Place Decimal \pm .010 METRIC
 3 Place Decimal \pm .005 1 Place Dec. \pm .25mm
 Angles \pm 1' 2 Place Dec. \pm .13mm
 Made for: CW IND.
 Drawn by: DGW 7-01-13
 Checked by: *G. Gold 7-8-13*
 Approval: *G. Gold 7-8-13*

Title: **ROCKER ASSEMBLY**
S.P.D.T., POLARIZED
W/RADIUS ON CLAW
1.125" x .550" PANEL
 Division: **SWITCH**
 Dwg. No. **GRS-2012-2021**

MASTER