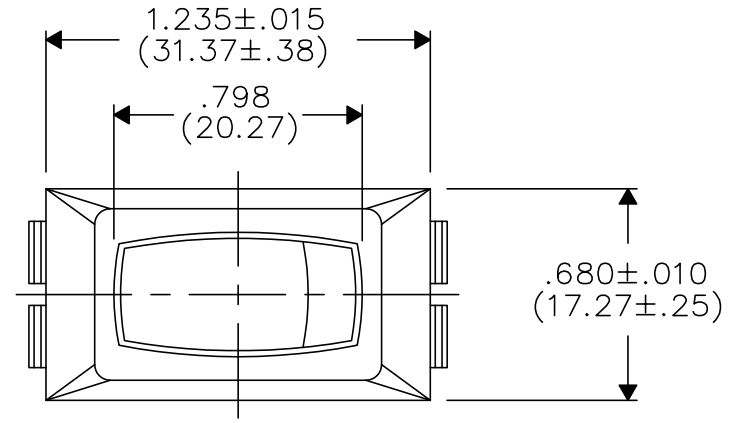
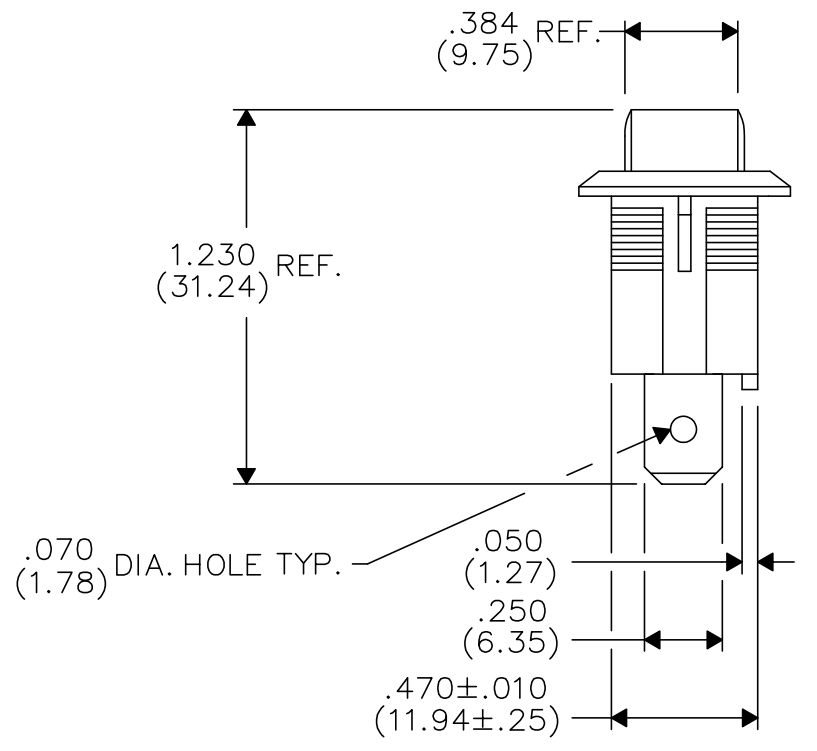
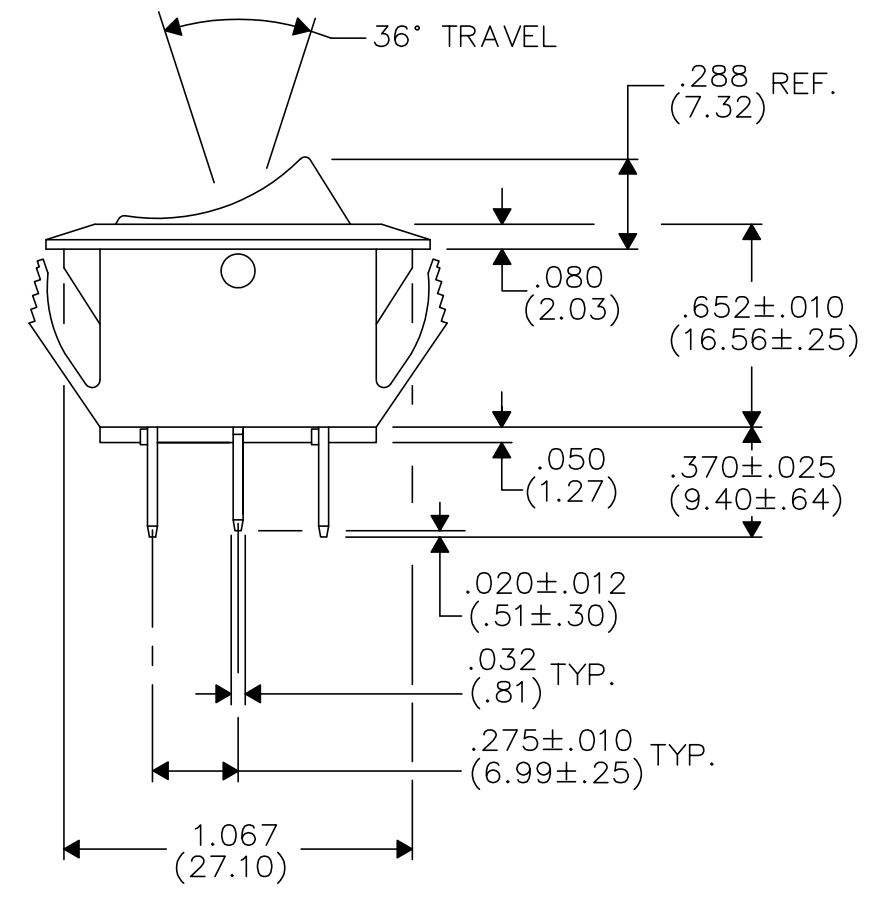
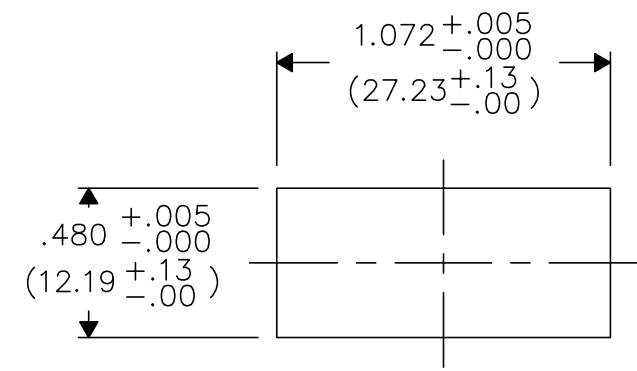


DIMENSIONS IN INCHES (MILLIMETERS)
DO NOT SCALE DRAWING

Dwg. No.
GRS-2012A-3000



PANEL PIERCING



FORM-B4
REVISIONS
0
RELEASED.
MAM 4-11-90
CH 9-21-90

CW INDUSTRIES
Southampton, Pa. 18966
TOLERANCES UNLESS OTHERWISE SPECIFIED
2 Place Decimal ±.010 METRIC
3 Place Decimal ±.005 1 Place Dec. ±.25mm
Angles ±1' 2 Place Dec. ±.13mm
Made for: CW IND.
Drawn by: MAM 4-18-90
Checked by: CH 9-20-90
Approval: CH 9-20-90

Title:
ASSEMBLY DRAWING
S.P.D.T. ROCKER SWITCH
MOMENTARY
NON-POLARIZED
1.072" x .480" PANEL
Division:
SWITCH
Dwg. No.
GRS-2012A-3000

PDF File Made