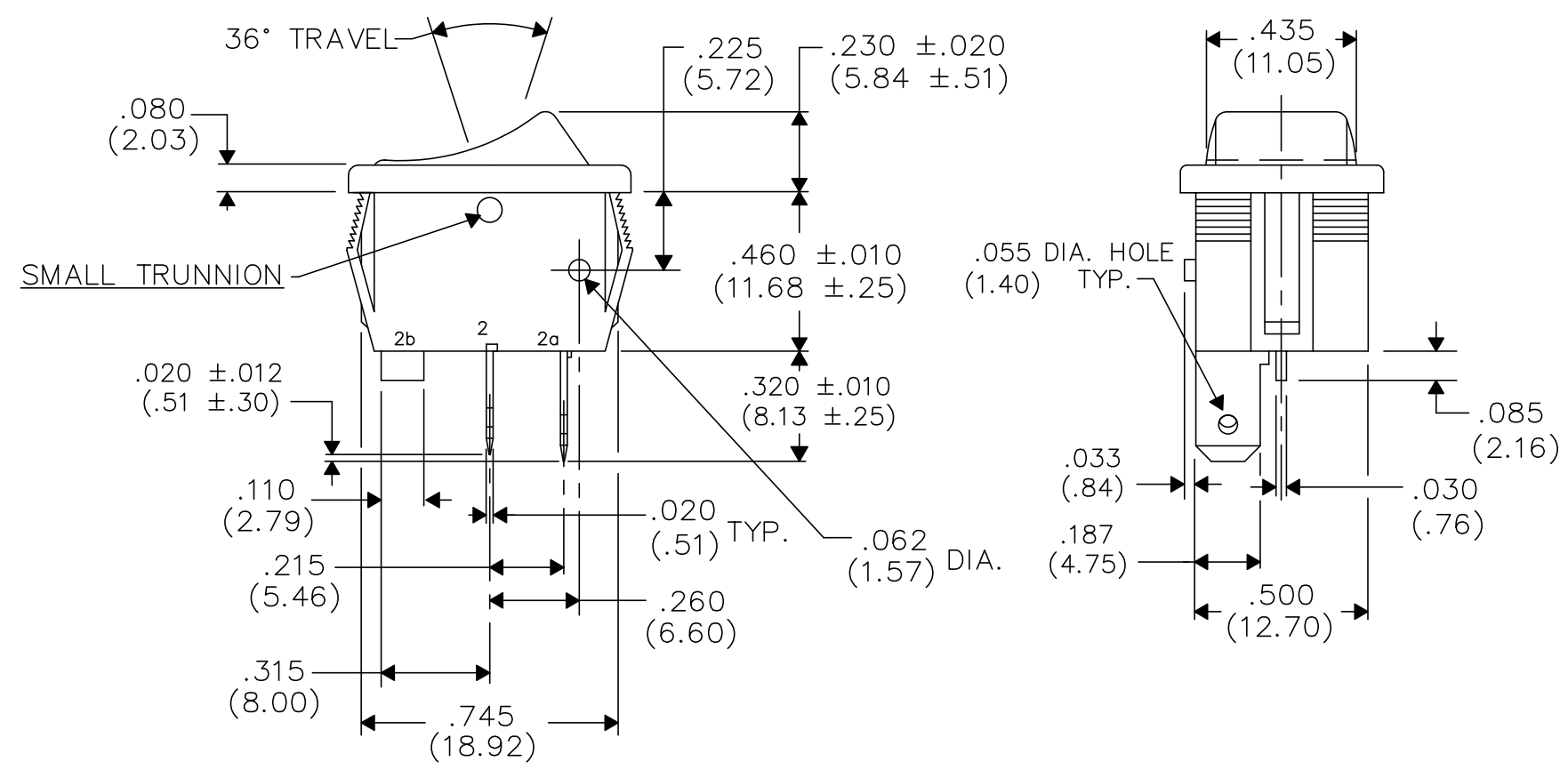
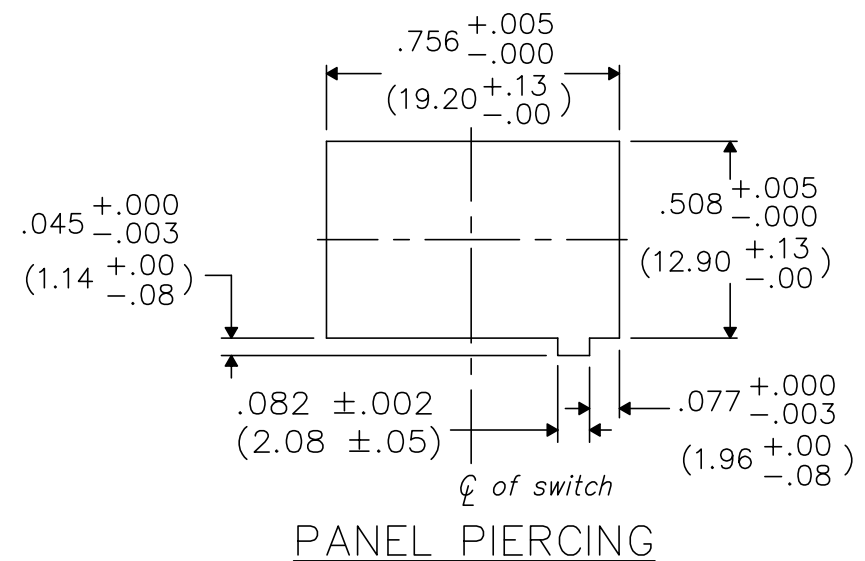
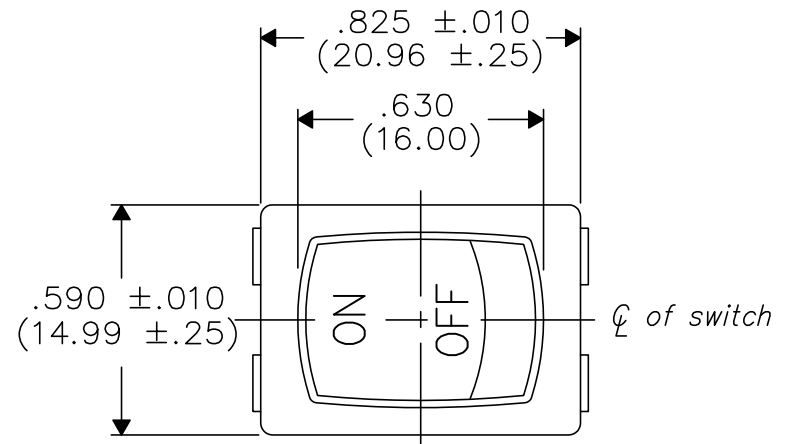


DIMENSIONS IN INCHES (MILLIMETERS)  
DO NOT SCALE DRAWING .....

Dwg. No.  
GRS-4011-1602



1 2 3 4 5 6 7 8 9 10

B-FORMAT 2002	<b>REVISIONS</b>	
	0	1
	RELEASED. DGW 10-29-2003 OCT. 31, 2003	REDRAWN. MOVED POLARIZED BUMP FROM ABOVE TERM. 1B TO TERM. 2A. DGW 5-04-2004 MAY 10, 2004

PDF File Made	<b>CW INDUSTRIES</b> Southampton, Pa. 18966		Title: ASSEMBLY ROCKER SWITCH S.P.- S.T. POLARIZED
	TOLERANCES UNLESS OTHERWISE SPECIFIED		
	2 Place Decimal ±.010	METRIC	Division: SWITCH
	3 Place Decimal ±.005	1 Place Dec. ±.25mm	
	Angles ..... ±1°	2 Place Dec. ±.13mm	
Made for: CW IND.	Drawn by: DGW 10-29-2003	Dwg. No. GRS-4011-1602	
Checked by: GG 5-10-04	Approval: BF 5-10-4		