

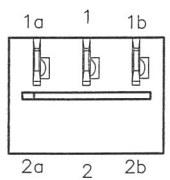
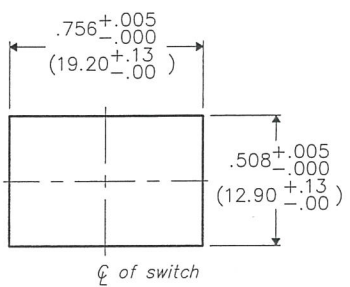
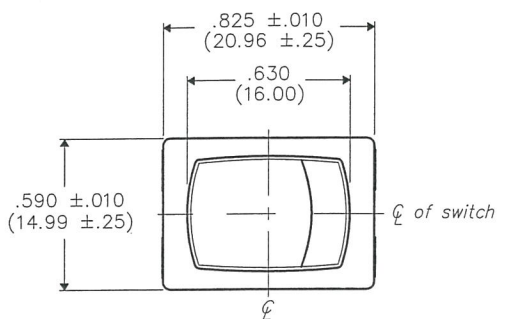
THIS INFORMATION IS CONFIDENTIAL AND PROPRIETARY TO CW INDUSTRIES INCORPORATED AND ITS AFFILIATES. IT MAY NOT BE DISCLOSED TO ANYONE OTHER THAN CW INDUSTRIES PERSONNEL, WITHOUT WRITTEN AUTHORIZATION FROM CW INDUSTRIES INCORPORATED, SOUTHAMPTON, PENNSYLVANIA USA.

F
D
C
B
A

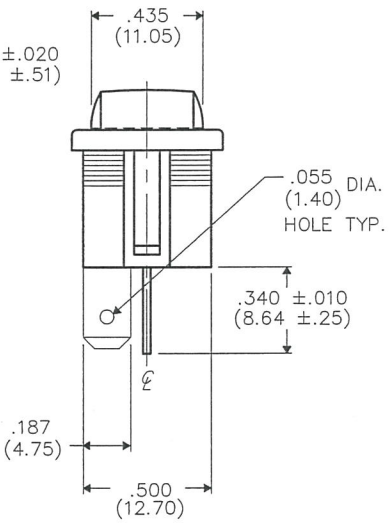
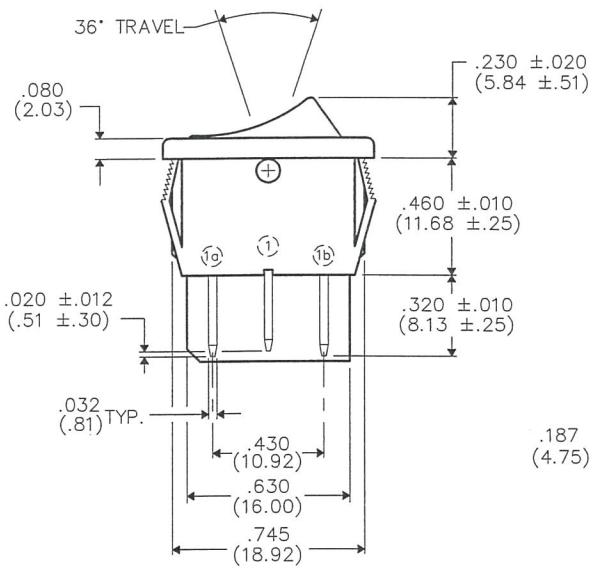
DIMENSIONS IN INCHES (MILLIMETERS)
 DO NOT SCALE DRAWING

Dwg. No.
GRS-4012-0026

PANEL PIERCING



BOTTOM VIEW



UL & CSA LISTED:

16A 125-250VAC 10A 14V (T)
 3/4 H.P. 125-250VAC 3A 125V L

MATERIALS:

BUTTON - NYLON 6/6 94V-2, COLOR/RED
 HOUSING - NYLON 6/6 94V-2, COLOR/BLACK
 TERMINAL & MOVING CONTACT - COPPER ALLOY

1 2 3 4 5 6 7 8 9 10

REVISIONS	0	RELEASED: DWG 1-17-2002 JAN. 22, 2002
	1	REDRAWN, UPDATED WITH NEW FORMAT AND ADDED UL & CSA LISTED AND MATERIALS. DWG 2-25-2013 FEB 26 2013

CW INDUSTRIES
Southampton, Pa. 18966

TOLERANCES UNLESS OTHERWISE SPECIFIED	
2 Place Decimal ±.010	METRIC
3 Place Decimal ±.005	1 Place Dec. ±.25mm
Angles ±1'	2 Place Dec. ±.13mm

Made for: CW IND.
 Drawn by: DGW 1-17-2002
 Checked by: *G. Guld 2-26-13*
 Approval: *C. Hanna 2/26/13*

Title: **ROCKER SWIDGET
ASSEMBLY
(POP IN)
S.P.- D.T.**

Division: **SWITCH**
 Dwg. No. **GRS-4012-0026**

MASTER