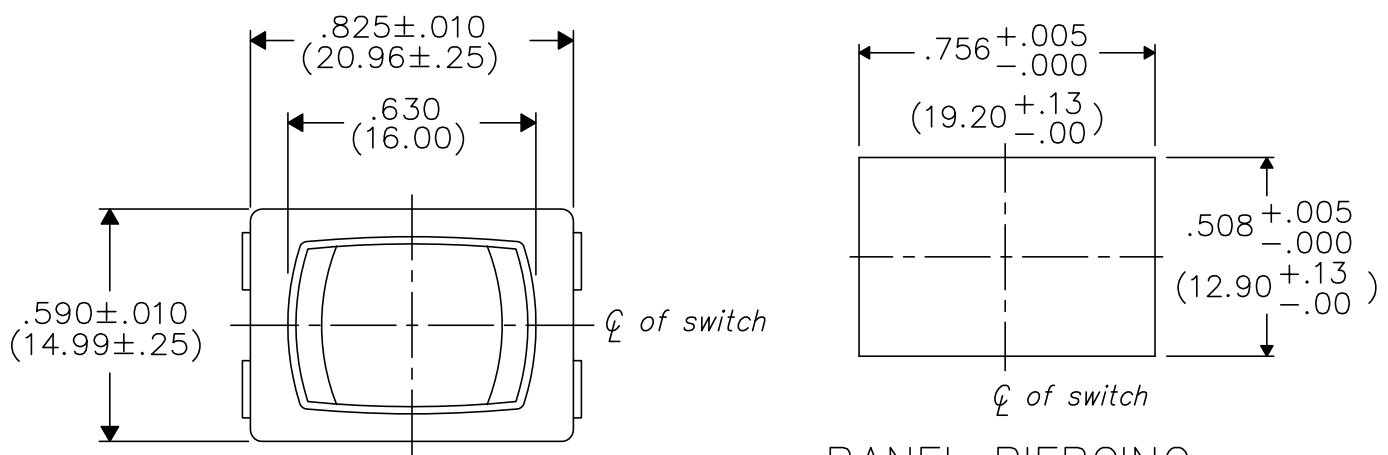
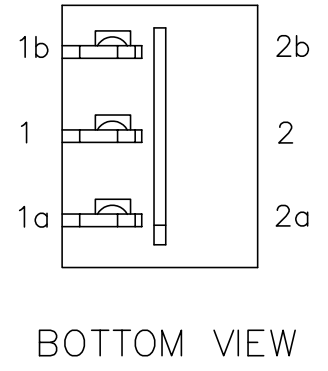
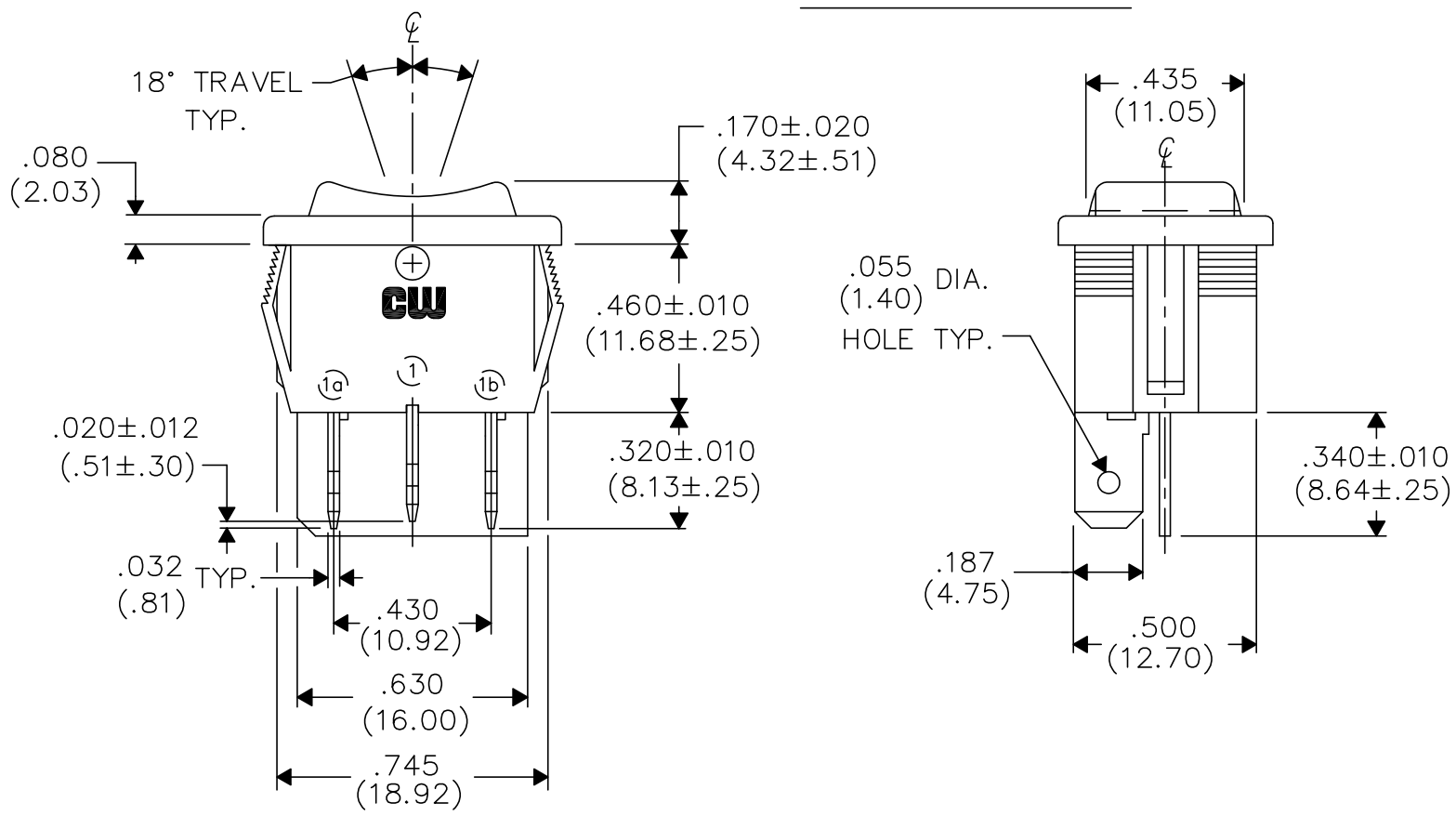


DIMENSIONS IN INCHES (MILLIMETERS)
DO NOT SCALE DRAWING

Dwg. No.
GRS-4013A-0001



PANEL PIERCING



1 2 3 4 5 6 7 8 9 10

B-FORMAT 2002
 REVISIONS
 0
 RELEASED. DGW 2-28-2003
 3-10-2003

CW INDUSTRIES
 Southampton, Pa. 18966

TOLERANCES UNLESS OTHERWISE SPECIFIED

2 Place Decimal ±.010	METRIC
3 Place Decimal ±.005	1 Place Dec. ±.25mm
Angles ±1°	2 Place Dec. ±.13mm

Made for: CW IND.
 Drawn by: DGW 2-28-2003
 Checked by: GG 3-10-03
 Approval: BF 3-10-3

Title: ASSEMBLY
 ROCKER SWIDGET
 S.P.- CENTER OFF
 (ON-OFF-ON)

Division: SWITCH

Dwg. No.
 GRS-4013A-0001

PDF File Made