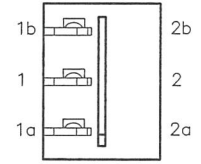
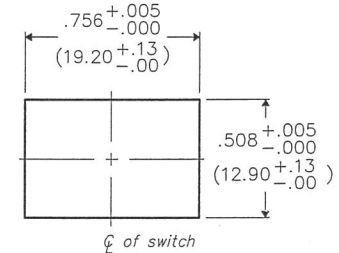
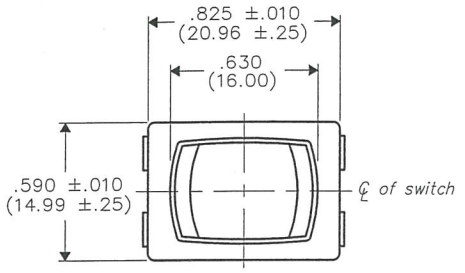


A B C D F
 THIS INFORMATION IS CONFIDENTIAL AND PROPRIETARY TO CW INDUSTRIES INCORPORATED AND ITS AFFILIATES. IT MAY NOT BE DISCLOSED TO ANYONE OTHER THAN CW INDUSTRIES PERSONNEL, WITHOUT WRITTEN AUTHORIZATION FROM CW INDUSTRIES INCORPORATED, SOUTHAMPTON, PENNSYLVANIA USA.

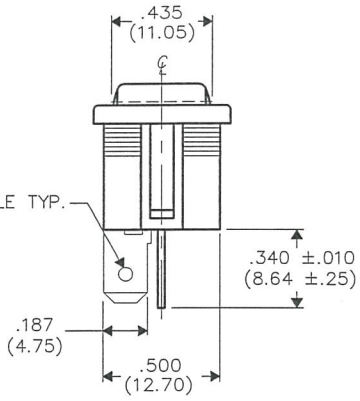
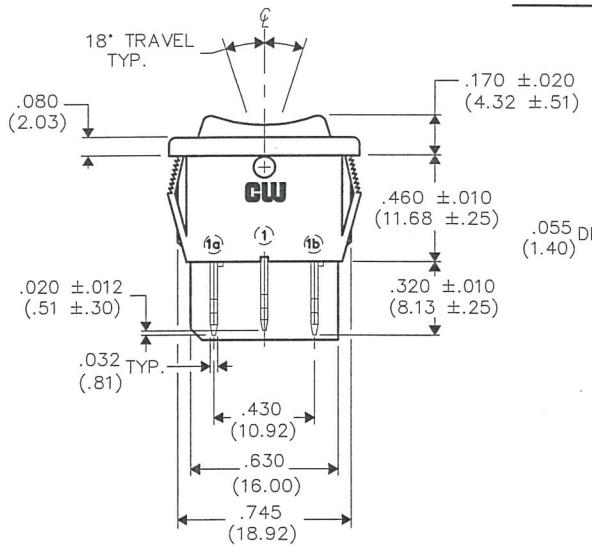
DIMENSIONS IN INCHES (MILLIMETERS)
DO NOT SCALE DRAWING

Dwg. No.
GRS-4013A-0008



PANEL PIERCING

BOTTOM VIEW



UL & CSA LISTED:

13A 125VAC 10A 250VAC
1/2 H.P. 125-250VAC 5A 14V(T)

MATERIALS:

BUTTON - NYLON 6/6 94V-2 COLOR, RED
HOUSING - NYLON 6/6 94V-2 COLOR, BLACK
TERMINAL & MOVING CONTACT - COPPER ALLOY

B-FORMAT 2002	REVISIONS								
	0	RELEASED. DWG 10-06-94 OCT. 7, 1994							
	1	REDRAWN. UPDATED WITH NEW FORMAT. DWG 2-25-2013 FEB 26 2013							

PDF MADE	cw INDUSTRIES Southampton, Pa. 18966		Title: ASSEMBLY ROCKER SWIDGET S.P.- CENTER OFF (ON-OFF-ON)	
	TOLERANCES UNLESS OTHERWISE SPECIFIED		METRIC	
	2 Place Decimal ±.010	3 Place Decimal ±.005	1 Place Dec. ±.25mm	2 Place Dec. ±.13mm
	Angles ±1°			
	Made for: CW IND.		Division: SWITCH	
Drawn by: DGW 10-06-94		Dwg. No. GRS-4013A-0008		
Checked by: <i>B. Gold 2-26-13</i>				
Approval: <i>C. Henn 2/24/13</i>				

MASTER