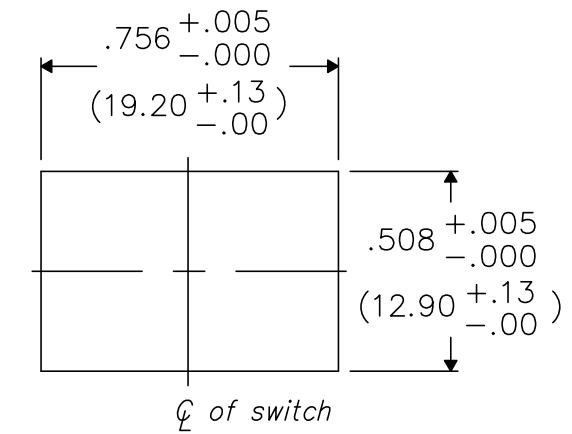
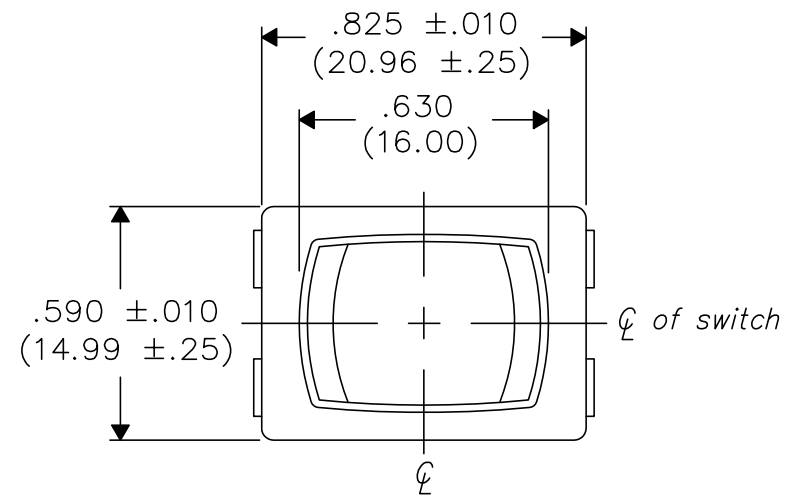
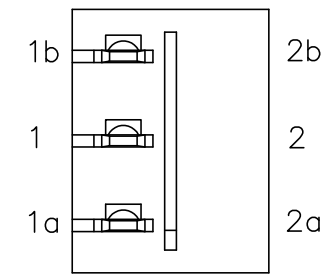


DIMENSIONS IN INCHES (MILLIMETERS)
DO NOT SCALE DRAWING

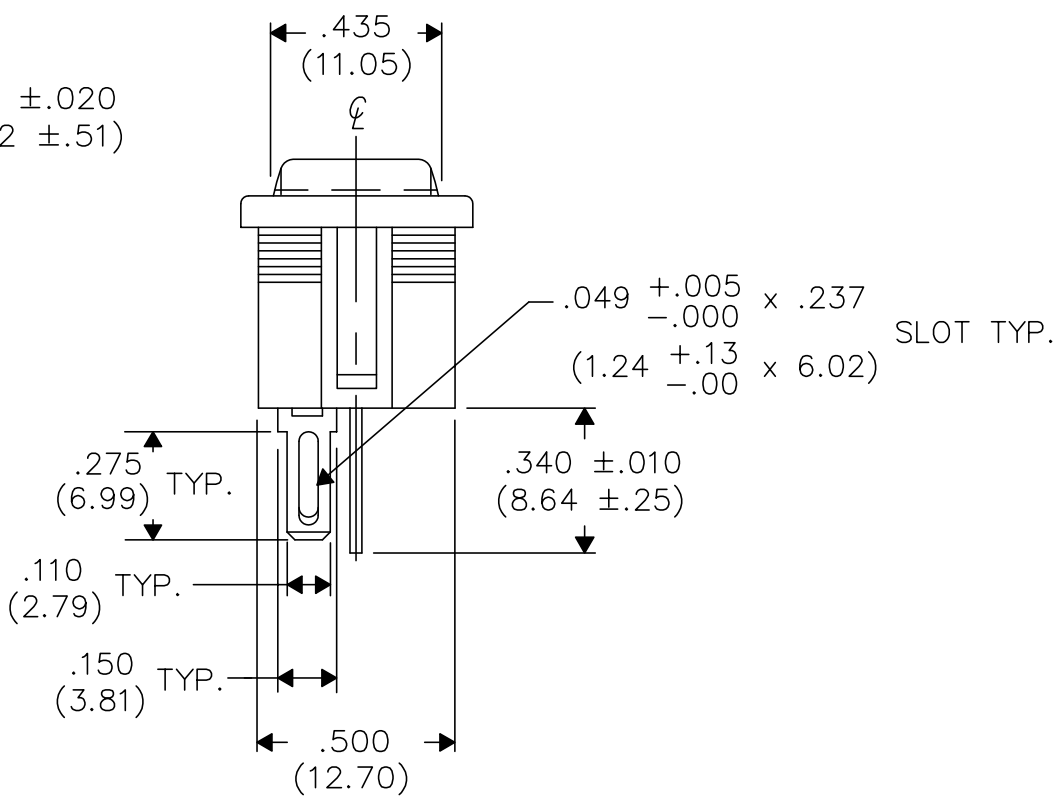
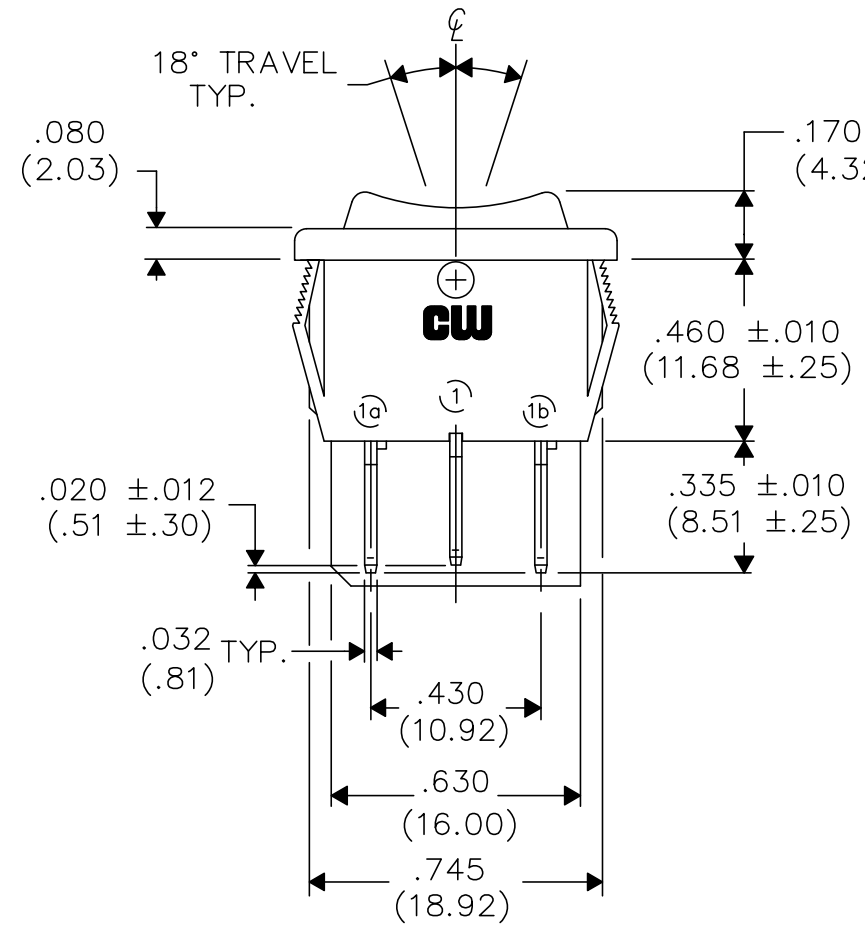
Dwg. No.
GRS-4013C-0011



PANEL PIERCING



BOTTOM VIEW



E
D
C
B
A

1 2 3 4 5 6 7 8 9 10

FORM-B4
REVISIONS
O
RELEASED.
DGW 6-11-2002
JUN 13, 2002

CW INDUSTRIES
Southampton, Pa. 18966

TOLERANCES UNLESS OTHERWISE SPECIFIED
2 Place Decimal ±.010 METRIC
3 Place Decimal ±.005 1 Place Dec. ±.25mm
Angles ±1' 2 Place Dec. ±.13mm

Made for: CW IND.
Drawn by: DGW 6-11-2002
Checked by: GG 6-13-2002
Approval: BF 6-13-2002

Title: ROCKER ASSEMBLY
ASSEMBLY
S.P.- CENTER OFF
(MOM.- OFF- MOM.)

Division: SWITCH
Dwg. No. GRS-4013C-0011

PDF File Made