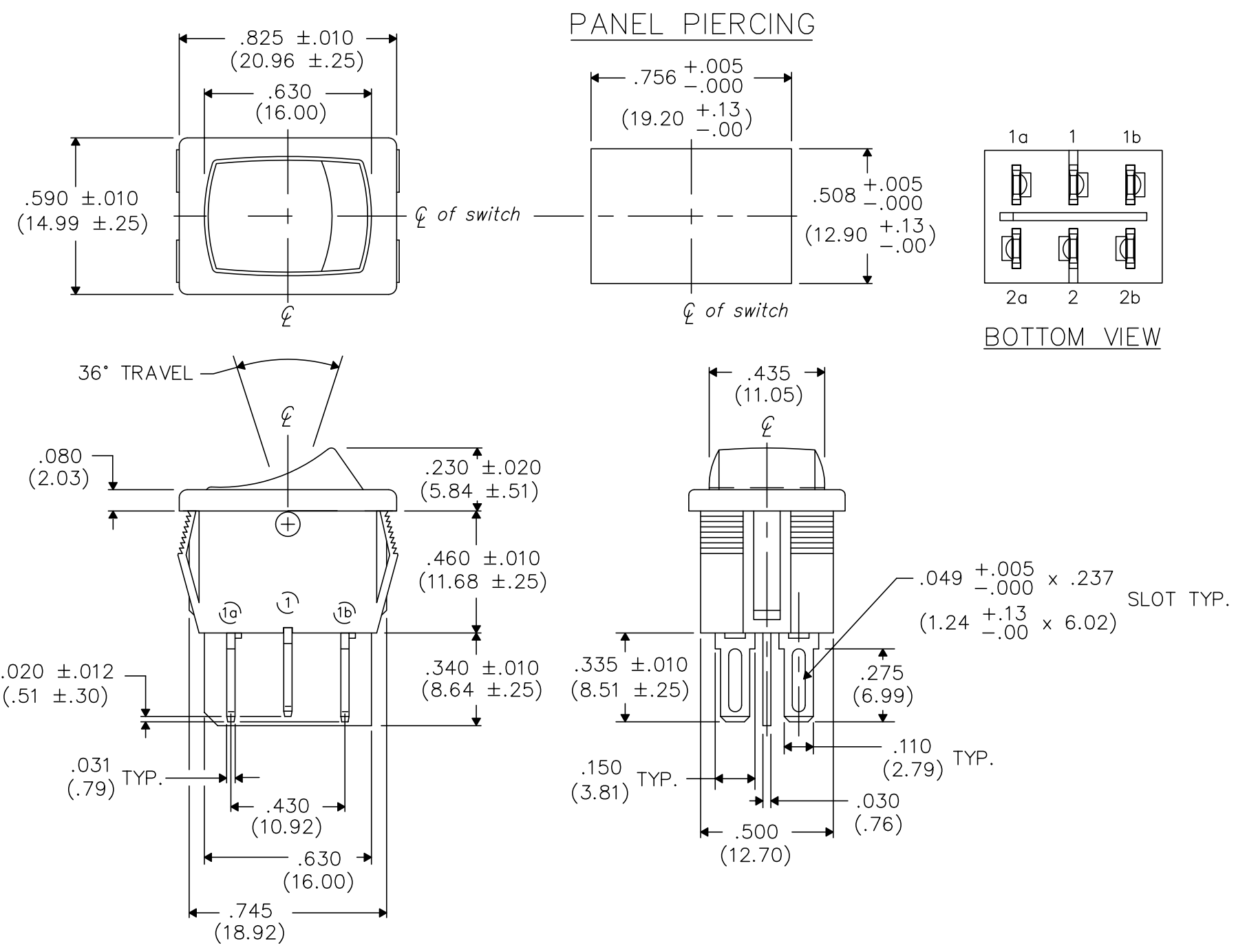


DIMENSIONS IN INCHES (MILLIMETERS)
DO NOT SCALE DRAWING

Dwg. No.
GRS-4022-0019

E
D
C
B
A



1 2 3 4 5 6 7 8 9 10

FORM-B4	REVISIONS	0								
		RELEASED. DGW 5-28-2002 6-04-2002								

PDF File Made	CW INDUSTRIES Southampton, Pa. 18966
	TOLERANCES UNLESS OTHERWISE SPECIFIED
	2 Place Decimal ±.010 METRIC
	3 Place Decimal ±.005 1 Place Dec. ±.25mm
	Angles ±1° 2 Place Dec. ±.13mm
Made for: CW IND.	Division: SWITCH
Drawn by: DGW 5-28-2002	Dwg. No. GRS-4022-0019
Checked by: GG 6-04-2002	
Approval: BF 6-04-2002	

Title: MINI - ROCKER SWITCH ASSEMBLY D.P./D.T.

Division: SWITCH

Dwg. No. GRS-4022-0019