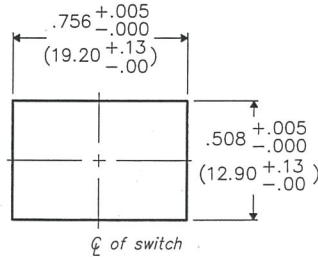
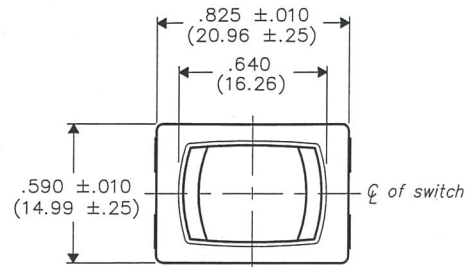
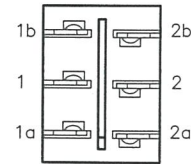


DIMENSIONS IN INCHES (MILLIMETERS)
DO NOT SCALE DRAWING

Dwg. No. **GRS-4023B-0000**



PANEL PIERCING



BOTTOM VIEW

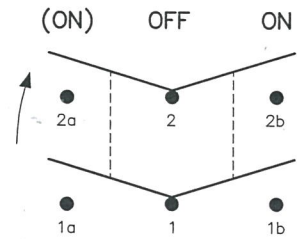
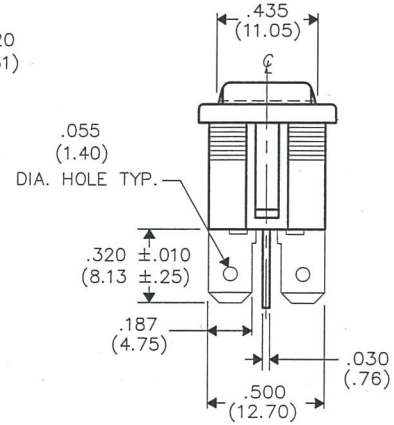
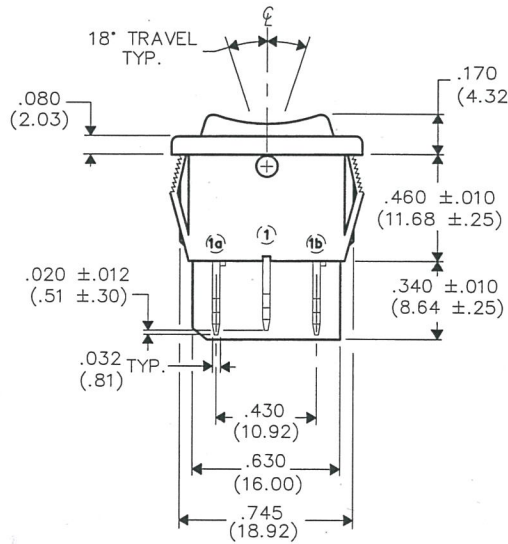
MATERIAL:

ROCKER KNOB- Nylon 6/6, Color - Black
HOUSING- Nylon 6/6, Color - Black

ELECTRICAL RATING-

13A 125VAC 5A 14V T
10A 250VAC 1/2 H.P. 125-250VAC

LISTING AGENCIES-



| | | | |
|---------|------------------|-------------------------------------------------------------------------------------|--|
| FORM-B4 | REVISIONS | 0 | |
| | | 1 | |
| | | RELEASED. DGW 10-14-94 AH 10-20-94 | |
| | | ADDED NOTES AND SWITCH FUNCTION TO DRAWING. DGW 6-25-14 JUN 25 2014 | |

ATTENTION
THIS DRAWING AND ITS ATTACHMENTS, IF ANY, ARE PROPRIETARY TO CW INDUSTRIES AND DESCRIBE DESIGNS THAT ARE CONFIDENTIAL AND MUST NOT BE DISCLOSED UNLESS AUTHORIZED, IN WRITING, BY AN OFFICER OF CW INDUSTRIES.....

| | |
|------------------------------------------------|---------------------|
| CW INDUSTRIES Southampton, Pa. 18966 | |
| TOLERANCES UNLESS OTHERWISE SPECIFIED | |
| 2 Place Decimal ±.010 | METRIC |
| 3 Place Decimal ±.005 | 1 Place Dec. ±.25mm |
| Angles ±1° | 2 Place Dec. ±.13mm |
| Made for: CW IND. | |
| Drawn by: DGW 10-14-94 | |
| Checked by: G. GOLD 6-25-14 | |
| Approval: [Signature] 6/25/14 | |

| |
|-------------------------------------------------------------------------------------|
| Title: ASSEMBLY ROCKER SWIDGET D.P.- CENTER OFF (MOM. ON)-OFF-ON |
| Division: SWITCH |
| Dwg. No. GRS-4023B-0000 |

MASTER