

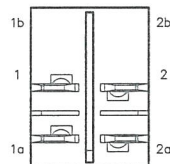
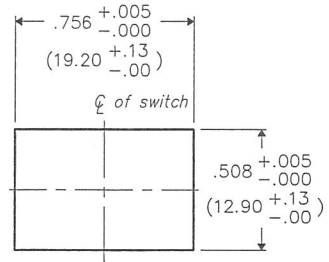
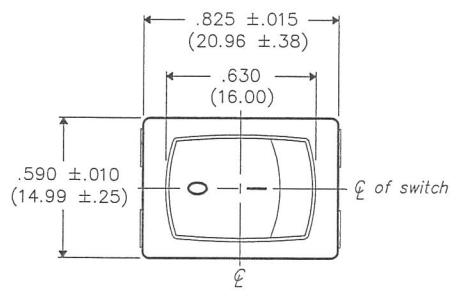
THIS INFORMATION IS CONFIDENTIAL AND PROPRIETARY TO CW INDUSTRIES INCORPORATED AND ITS AFFILIATES. IT MAY NOT BE DISCLOSED TO ANYONE, OTHER THAN CW INDUSTRIES PERSONNEL, WITHOUT WRITTEN AUTHORIZATION FROM CW INDUSTRIES INCORPORATED, SOUTHAMPTON, PENNSYLVANIA USA.

F  
D  
C  
B  
A

DIMENSIONS IN INCHES (MILLIMETERS)  
 DO NOT SCALE DRAWING .....

Dwg. No.  
**GRSV-4021-0006**

**PANEL PIERCING**

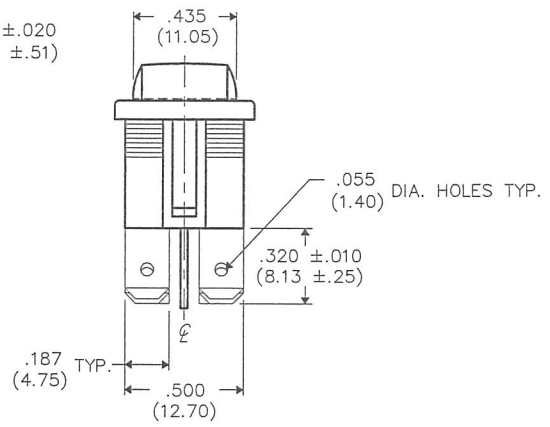
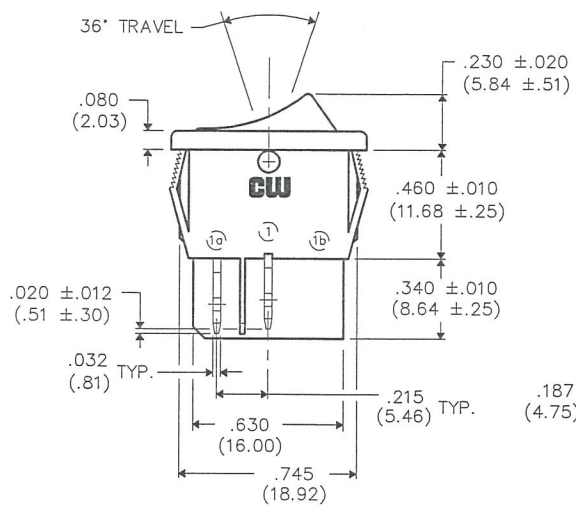


**BOTTOM VIEW**

SWITCH COLOR - Black  
 LEGEND COLOR - White

**SWITCH RATINGS:**

UL/CSA/105°  
 16A 125-250VAC , 10A 14V (T)  
 3/4 H.P. 125-250VAC , 3A 125V (L)  
 VDE  
 10(4) 250 ~ μ 85°



1 2 3 4 5 6 7 8 9 10

B-FORMAT 2002 <b>REVISIONS</b> RELEASED: DGW 7-01-13 <b>JUL 19 2013</b>	0

PDF FILE	<b>CW INDUSTRIES</b> Southampton, Pa. 18966 TOLERANCES UNLESS OTHERWISE SPECIFIED 2 Place Decimal ±.010 METRIC 3 Place Decimal ±.005 1 Place Dec. ±.25mm Angles ..... ±1' 2 Place Dec. ±.13mm	Title: <b>ROCKER SWIDGET ASSEMBLY (POP IN), W/BARR.S D.P.- S.T.</b>
	Made for: CW IND.	Division: <b>SWITCH</b>
	Drawn by: DGW 7-01-13 Checked by: <i>G. Guld 7-8-13</i> Approval: <i>G. Guld 7-8-13</i>	Dwg. No. <b>GRSV-4021-0006</b>

MASTER