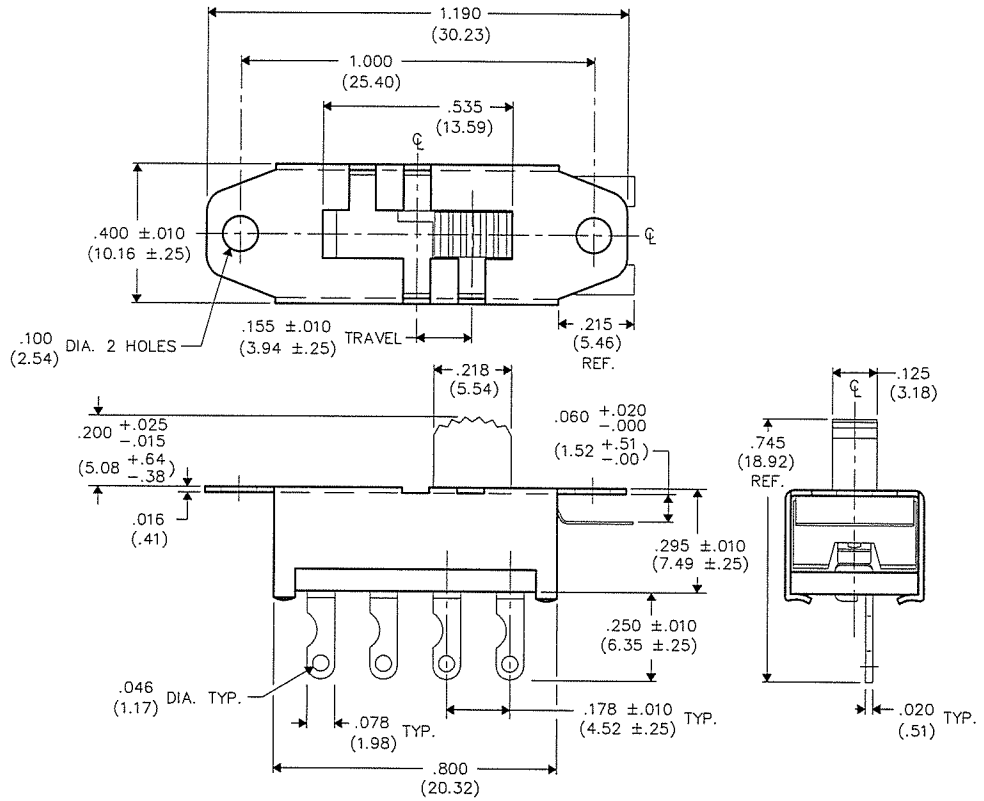


F
D
C
B
A

THIS INFORMATION IS CONFIDENTIAL AND PROPRIETARY TO CW INDUSTRIES INCORPORATED AND ITS AFFILIATES. IT MAY NOT BE DISCLOSED TO ANYONE OTHER THAN CW INDUSTRIES PERSONNEL. WITHOUT WRITTEN AUTHORIZATION FROM CW INDUSTRIES INCORPORATED, SOUTHAMPTON, PENNSYLVANIA USA.

DIMENSIONS IN INCHES (MILLIMETERS)
DO NOT SCALE DRAWING

Dwg. No.
G-127L-0000



1 2 3 4 5 6 7 8 9 10

B-FORMAT 2002
REVISIONS
0
RELEASED: 4-10-17
DGW
CA 4/11/17

PDF MADE	CW INDUSTRIES Southampton, Pa. 18966		Title: MINIATURE SLIDE SWITCH S.P./3 POSITION	
	TOLERANCES UNLESS OTHERWISE SPECIFIED			
	2 Place Decimal ±.010 METRIC		1 Place Dec. ±.25mm	
	3 Place Decimal ±.005		2 Place Dec. ±.13mm	
Made for: CW IND.			Division: SWITCH	
Drawn by: DGW 4-10-17			Dwg. No.	
Checked by: G. GULD 4-10-17			G-127L-0000	
Approval: <i>[Signature]</i> 4/11/17				