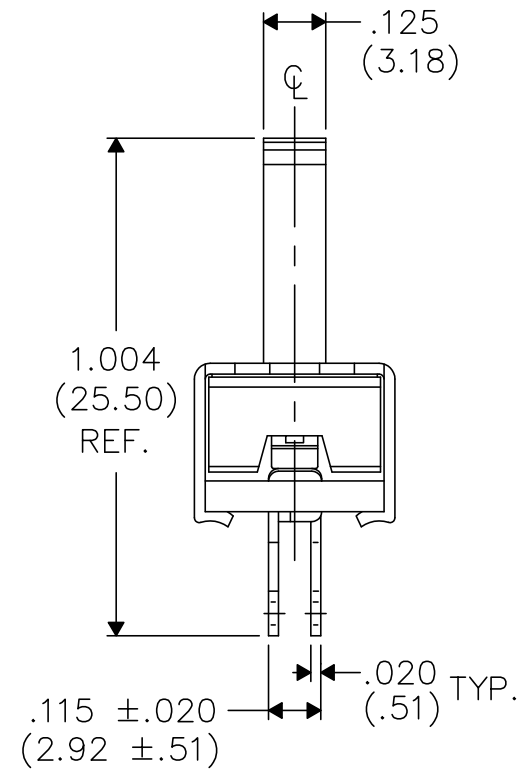
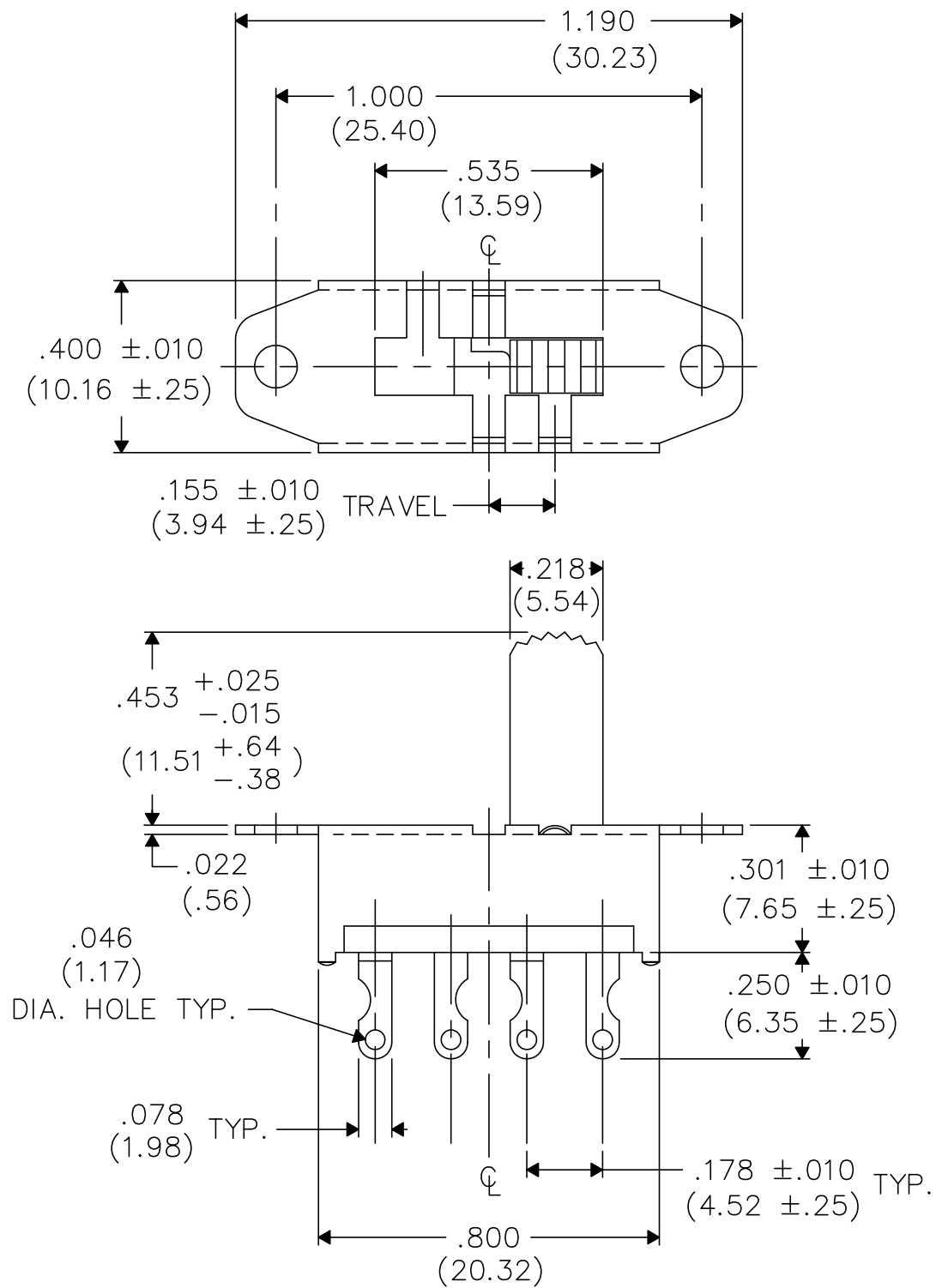


DIMENSIONS IN INCHES (MILLIMETERS)  
DO NOT SCALE DRAWING .....

Dwg. No.

G-127S-0062



FORM-B

REVISIONS

0
RELEASED DGW 4-18-95 APR. 19, 1995

<b>ew INDUSTRIES</b> Southampton, Pa. 18966	
TOLERANCES UNLESS OTHERWISE SPECIFIED	
2 Place decimal ±.010	METRIC
3 Place decimal ±.005	1 Place dec. ±.25mm
Angles ..... ± 1°	2 Place dec. ±.13mm
Made for: CW IND.	Division: SWITCH
Drawn by: DGW 4-18-95	Dwg. No. G-127S-0062
Checked by: GG 4-18-95	
Approval: CH 4-19-95	

Title: MINI SWITCH ASSEMBLY S.P. - 3 POS. STAGGERED TERMINALS
Dwg. No. G-127S-0062