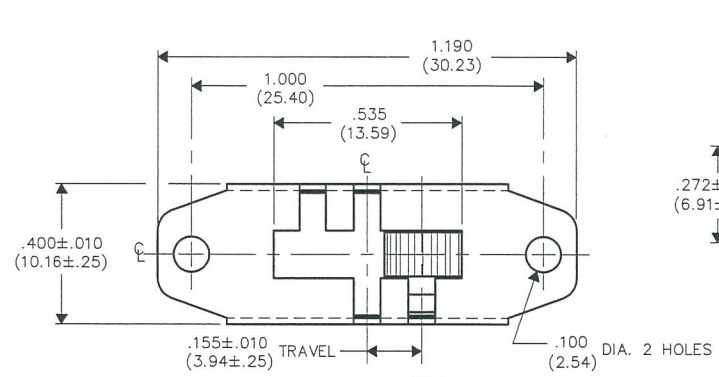


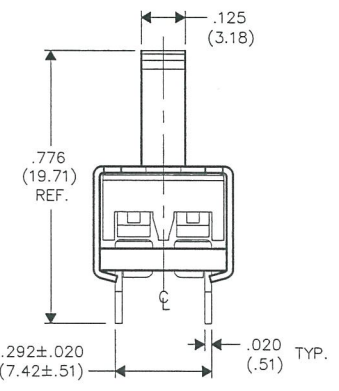
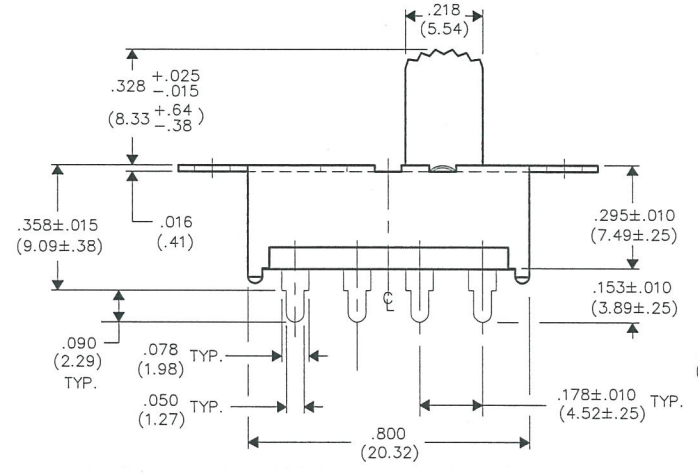
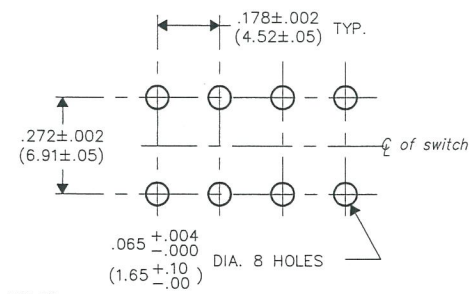
F  
 D  
 C  
 B  
 A

DIMENSIONS IN INCHES (MILLIMETERS)  
DO NOT SCALE DRAWING .....

Dwg. No.  
**G-128S-0142**



**P.C. LAYOUT**



1      2      3      4      5      6      7      8      9      10

B-FORMAT 2002  
**REVISIONS**  
 0  
 DWG 3-22-17  
 3/22/17

**CW INDUSTRIES**  
 Southampton, Pa. 18966  
 TOLERANCES UNLESS OTHERWISE SPECIFIED  
 2 Place Decimal ±.010 METRIC  
 3 Place Decimal ±.005 1 Place Dec. ±.25mm  
 Angles ..... ±1' 2 Place Dec. ±.13mm

Made for: CW IND.  
 Drawn by: DGW 3-22-17  
 Checked by: *B. Gold* 3-27-17  
 Approval: *[Signature]* 3/27/17

Title: **MINI SLIDE SWITCH ASSEMBLY**  
 D.P. - 3 POS.  
 Division: **SWITCH**  
 Dwg. No. **G-128S-0142**

**MASTER**