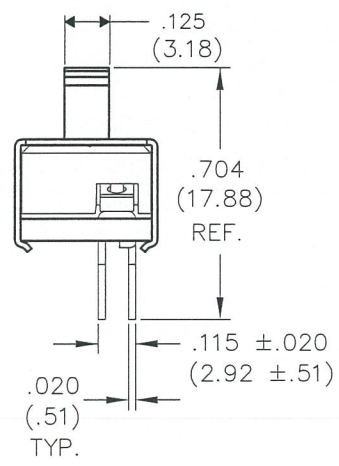
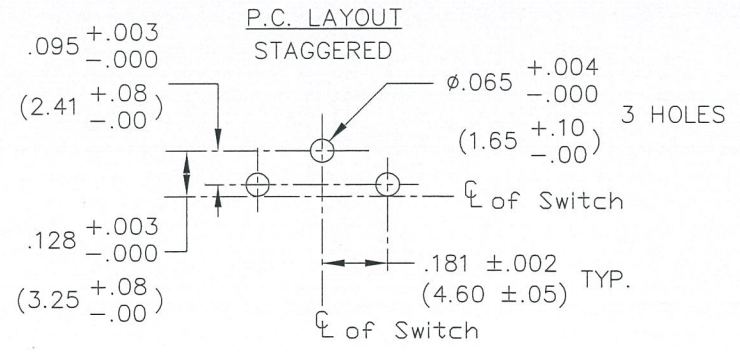
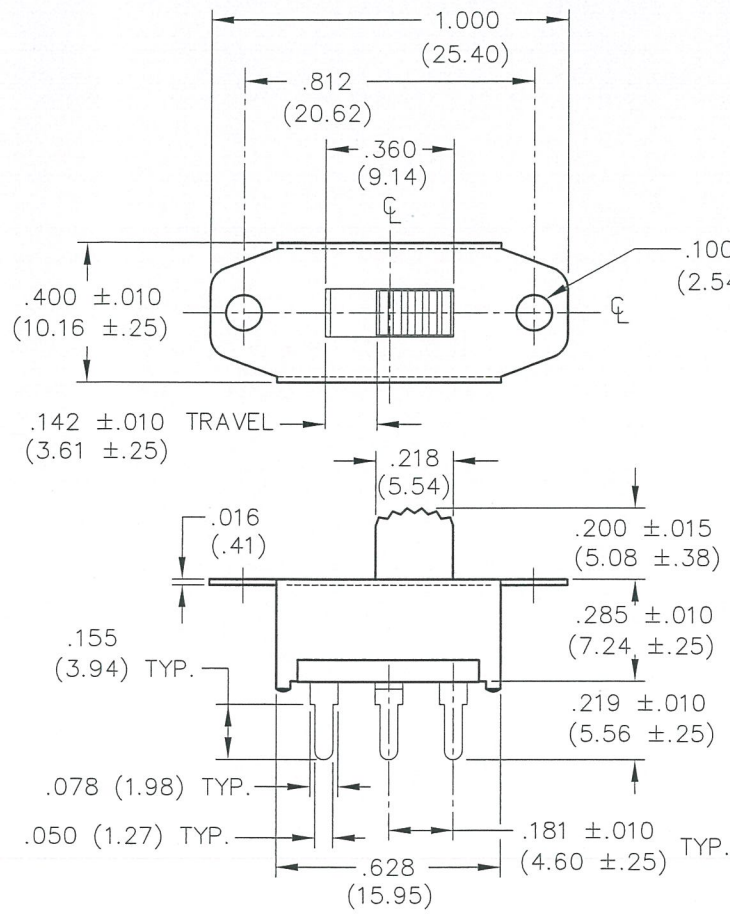


THIS INFORMATION IS CONFIDENTIAL AND PROPRIETARY TO CW INDUSTRIES INCORPORATED AND ITS AFFILIATES. IT MAY NOT BE DISCLOSED TO ANYONE, OTHER THAN CW INDUSTRIES PERSONNEL, WITHOUT WRITTEN AUTHORIZATION FROM CW INDUSTRIES INCORPORATED, SOUTHAMPTON, PENNSYLVANIA USA.

DIMENSIONS IN INCHES (MILLIMETERS)
 DO NOT SCALE DRAWING

Dwg. No.
G-133-0007

F
 D
 C
 B
 A



1 2 3 4 5 6 7 8 9 10

B-FORMAT 2002
 REVISIONS
 RELEASED: DGW 2-13-2017
 FEB 14 2017

--	--	--	--	--	--	--	--	--	--	--

CW INDUSTRIES Southampton, Pa. 18966	TOLERANCES UNLESS OTHERWISE SPECIFIED		Title: SWIDGET ASSEMBLY S.P./D.T. SPRING RETURN
	2 Place Decimal ±.010 3 Place Decimal ±.005 Angles ±1°	METRIC 1 Place Dec. ±.25mm 2 Place Dec. ±.13mm	
Made for: CW IND.	Drawn by: DGW 2-13-2017	Checked by: <i>G. Guld 2-14-17</i>	Dwg. No. G-133-0007
PDF MADE	Approval: <i>G. Guld 2-14-17</i>		

MASTER