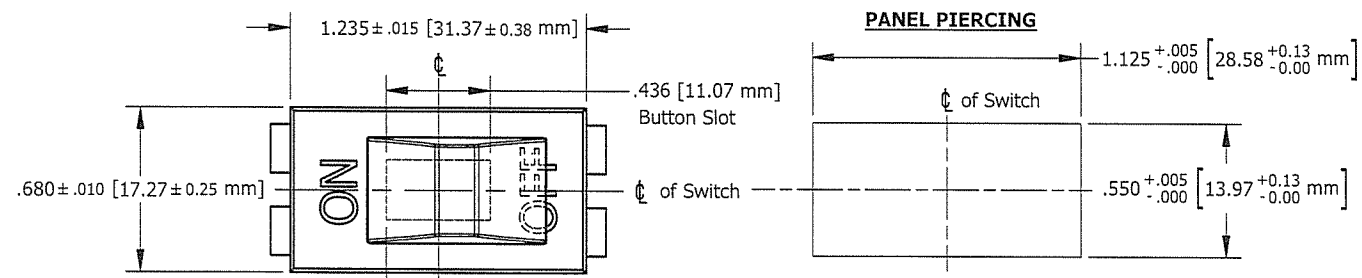


THIS INFORMATION IS CONFIDENTIAL AND PROPRIETARY TO CW INDUSTRIES INCORPORATED AND ITS AFFILIATES. IT MAY NOT BE DISCLOSED TO ANYONE, OTHER THAN CW INDUSTRIES PERSONNEL, WITHOUT WRITTEN AUTHORIZATION FROM CW INDUSTRIES INCORPORATED, SOUTHAMPTON, PENNSYLVANIA USA.

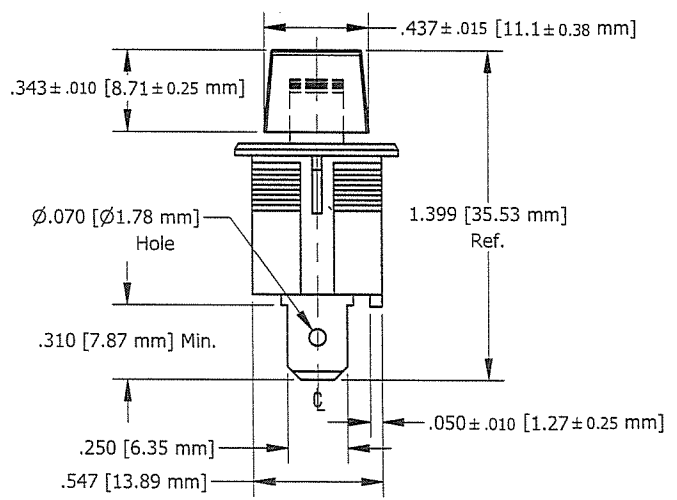
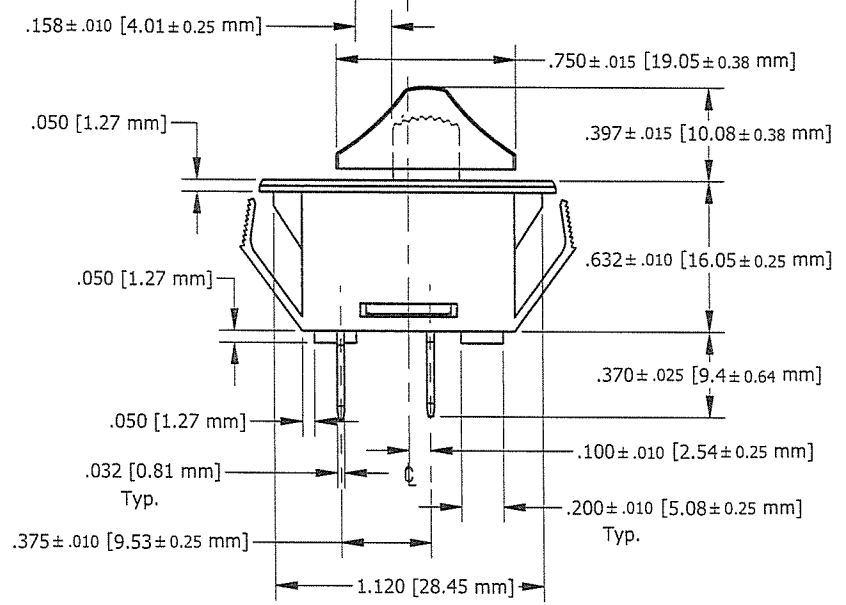
DIMENSIONS IN INCHES (MILLIMETERS)  
 DO NOT SCALE DRAWING .....

|           |   |      |              |
|-----------|---|------|--------------|
| REVISIONS | 0 | New. | REV 1 6 2018 |
|           |   |      | DGW 11/14/18 |
|           |   |      |              |

Dwg. No. G-2011-0004



Materials:  
 Button/Topper: Nylon 6/6, Color- White  
 Housing: Nylon 6/6, Color- White  
 Printing Color: Black



|                                                |                                                                                                                                                                 |
|------------------------------------------------|-----------------------------------------------------------------------------------------------------------------------------------------------------------------|
| <b>CW INDUSTRIES</b><br>Southampton, Pa. 18966 | Title: SNAP IN SLIDE SWITCH ASSEMBLY S.P. - S.T.                                                                                                                |
|                                                | TOLERANCES UNLESS OTHERWISE SPECIFIED<br>2 Place Decimal ± .010 METRIC<br>3 Place Decimal ± .005 1 Place Dec. ± .25mm<br>Angles ..... ± 1' 2 Place Dec. ± .13mm |
| Made for: CW IND.                              | Division: SWITCH                                                                                                                                                |
| Drawn by: DGW 11/14/18                         | Dwg. No. G-2011-0004                                                                                                                                            |
| Checked by: G. GULD 11-15-18                   |                                                                                                                                                                 |
| Approval: [Signature]                          |                                                                                                                                                                 |

1 2 3 4 5 6 7 8 9 10

MASTER